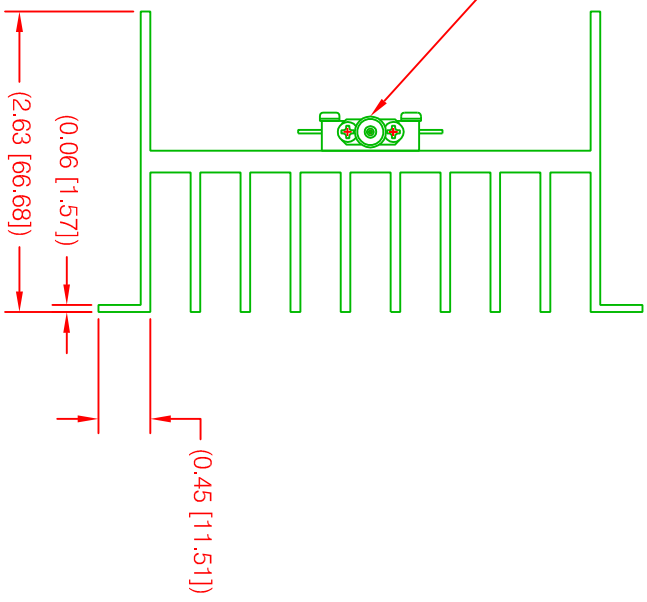
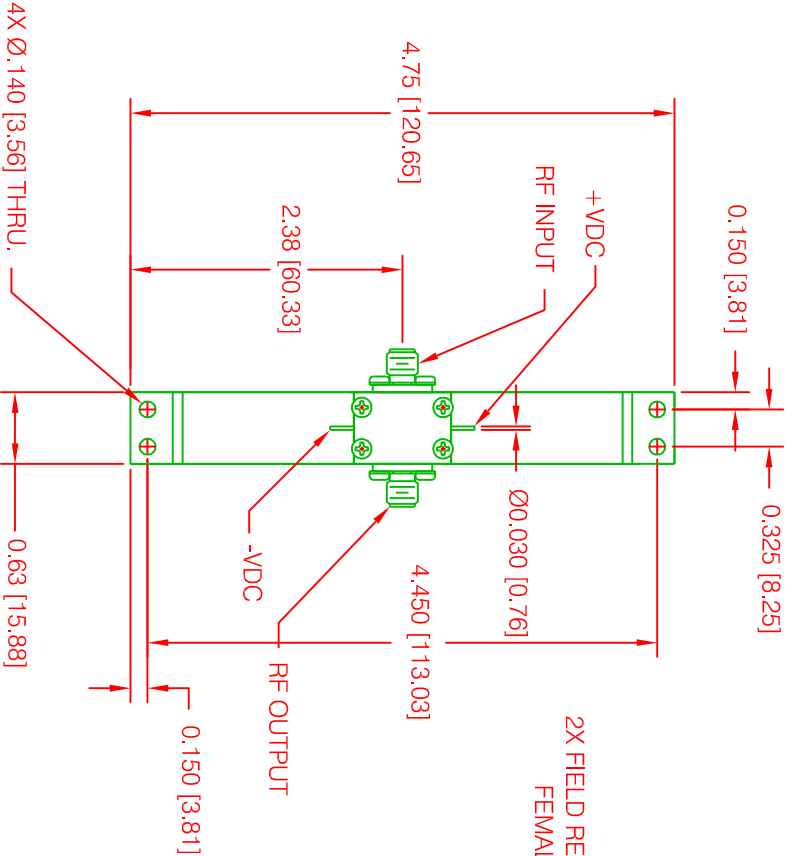


REVISIONS			
ZONE	LT/R	DESCRIPTION	DATE
B		CORRECTED TEXT +/- VDC, ADDED NOTE	8/20/05
			per



**NOTE:**  
METRIC EQUIVALENTS ARE IN PARENTHESES.  
HEATSINK AND BASEPLATE ARE FIELD REMOVABLE, BUT NOT RECOMMENDED.

QTY REQD		NOMENCLATURE OR DESCRIPTION		PARTS LIST	
-5	-4	-3	-2	-1	
					UNLESS OTHERWISE SPECIFIED DIMENSIONS ARE IN INCHES TOLERANCES ON ANGLES .XXX, .01 .XXX, .005 .0030
					DESIGNED BY: <i>e beyers</i> DATE: 1/25/2001
					APPROVED BY: <i>per</i> DATE: 8/20/2005
					MATERIAL: 7024 DATE: 8/20/2005
					HEATSINK: 139731
					HOUSING: 139070
					NEXT ASSY USED ON:
					APPLICATION: HEAT TREAT

**OUTLINE**  
18-40 GHZ.  
+23 DBM



100 Duval Drive, Houma, LA 70728

SIZE	CODE	IDENT. NO.	REV.
C	33592	139732	B

SCALE	REF	SHEET	OF
	450219	1	1

139732