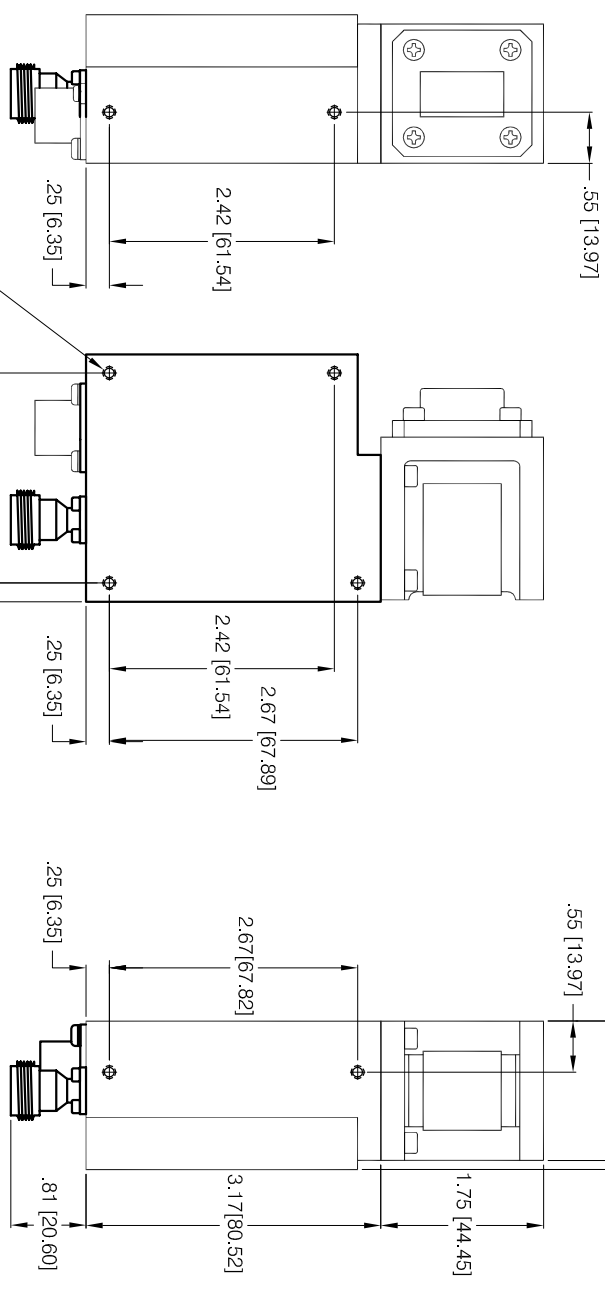
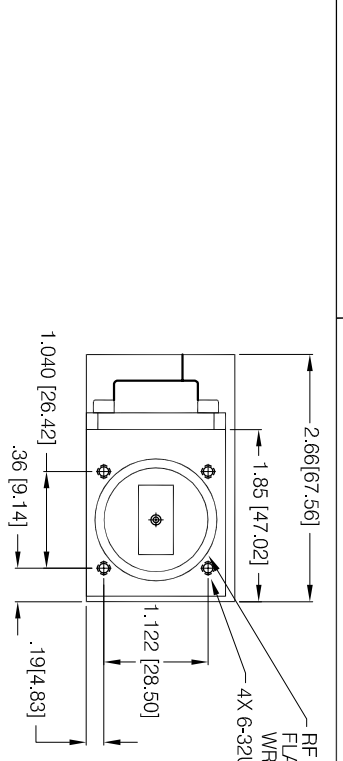


REVISIONS		DATE	APPROVED
ZONE	LTR		
D	1.668 WAS A	2/13/03	<i>David</i>



DC POWER
MS3112E10-6P MATES
WITH MS3116E10-6S

NOTES:
1. DIMENSIONS SHOWN IN BRACKETS [] ARE IN MILLIMETERS.
2. STANDARD UNIT IS AS SHOWN, FLAT FLANGE IS OPTIONAL.

QTY	REC'D	-5	-4	-3	-2	-1	NOMENCLATURE OR DESCRIPTION	SYM/NOTES	PART NO.	CODE IDENT.	ITEM NO.

ISOLATOR		UNLESS OTHERWISE SPECIFIED DIMENSIONS ARE IN INCHES TOLERANCES ON ANGLES		DATE	
ISOLATOR	W107128T-004	DECIMALS	.XXX4	APPROVED BY	7/18/00
ISOLATOR	94-95255-001	ANGLES	±0.30	DATE	2/13/03
ISOLATOR	094-037014-001				
ISOLATOR	107-1228				
MATERIAL					
FINISH					
HEAT TREAT					



OUTLINE
100 Davids Drive, Hauppauge, New York 11788
AMFW-7S-122128-85-F-N-EDS
KU BAND

SIZE	CODE IDENT. NO.	REV.
C	33592	1
SCALE	REF	SHEET 1 OF 1
	P99142	

4 3 2 1

A B C D

139019