

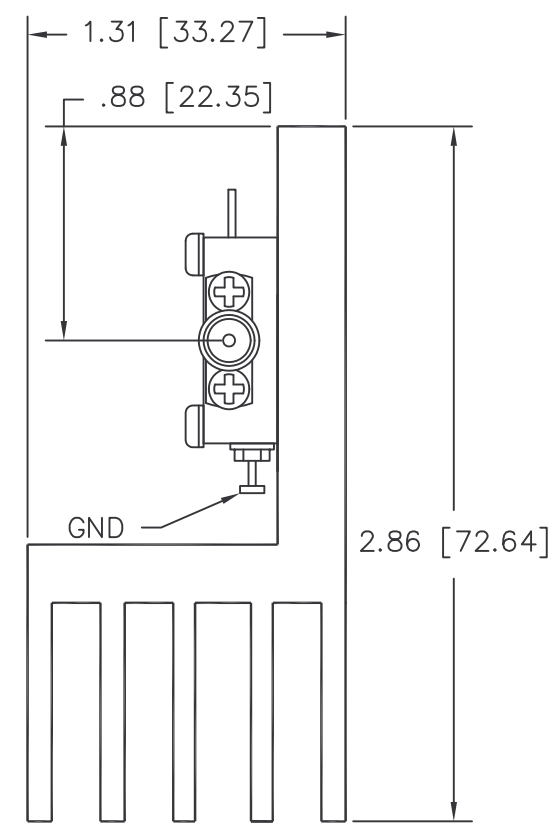
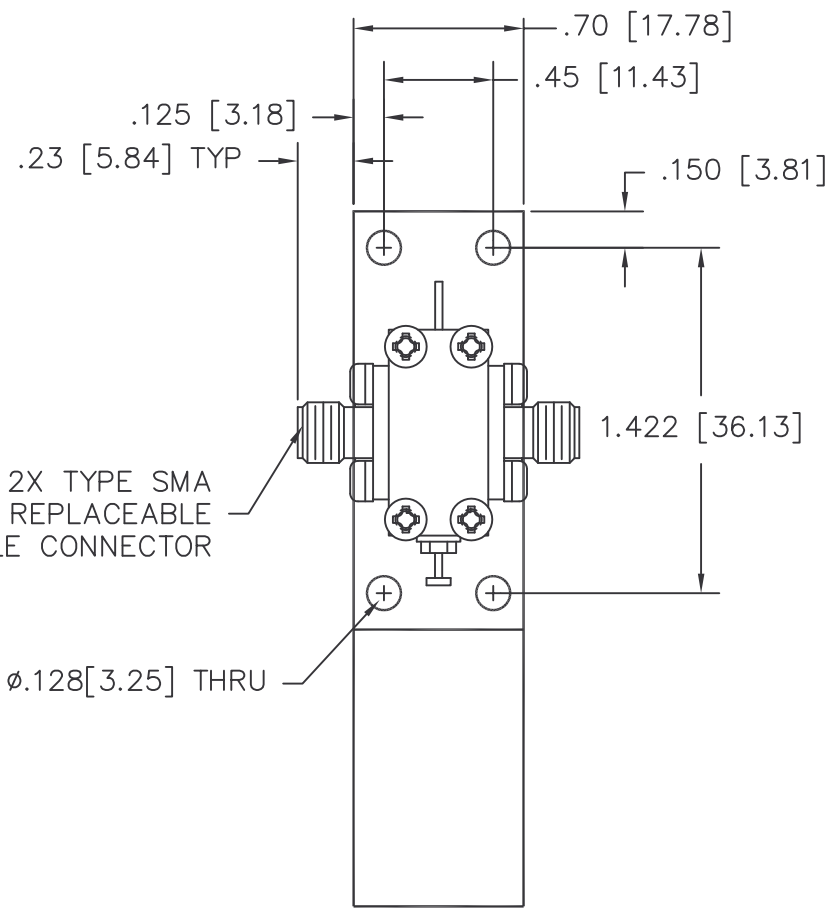
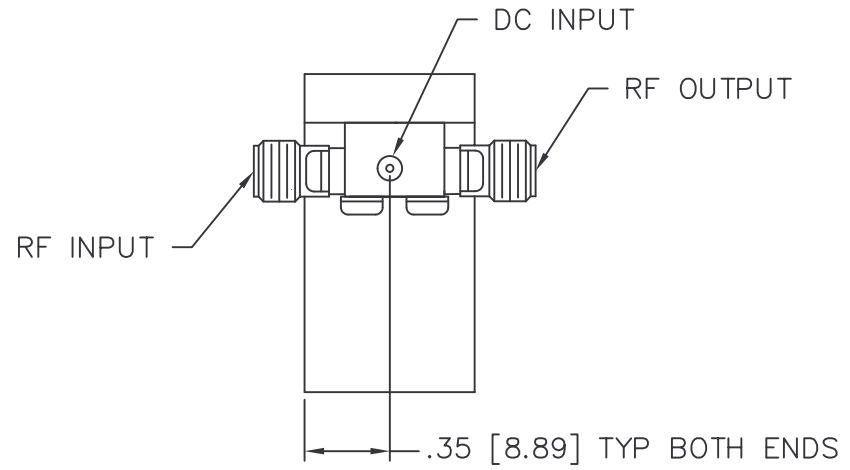
4

3

2

1


REVISIONS				
ZONE	LTR	DESCRIPTION	DATE	APPROVED
	A	INITIAL RELEASE	6/10/99	JRC



2X TYPE SMA FIELD REPLACEABLE FEMALE CONNECTOR

4X ø.128[3.25] THRU

135797

-5	-4	-3	-2	-1	NOMENCLATURE OR DESCRIPTION	SYM/NOTES	PART NO.	CODE IDENT.	ITEM NO.
					UNLESS OTHERWISE SPECIFIED DIMENSIONS ARE IN INCHES TOLERANCES ON DECIMALS ANGLES .XX±.01 .XXX±.005 ±0°30'	DRN BY <i>Ky</i> NAME <i>Bovard</i> DATE 6/10/99	 100 Davids Drive, Hauppauge, New York 11788 OUTLINE AMF SERIES 3-10 GHz 2 STAGE W/HEATSINK		
					MATERIAL	CHKD BY <i>JRC</i> DATE 2/5/00			
					FINISH	APPROVED BY PROJ ENGR <i>MEA</i> DATE 2/7/00			
					HEAT TREAT	ENG SECT			
					APPLICATION	Q.A.	SIZE C	CODE IDENT. NO. 33592	REV. A
							SCALE	REF P88409	SHEET 1 OF 1

QTY REQ'D	
OUTLINE	131580
HOUSING	131576
NEXT ASSY	USED ON

4

3

2

1