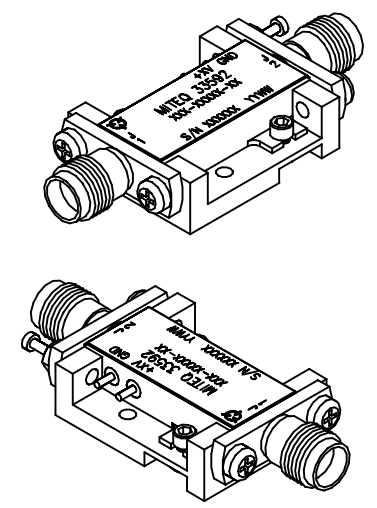
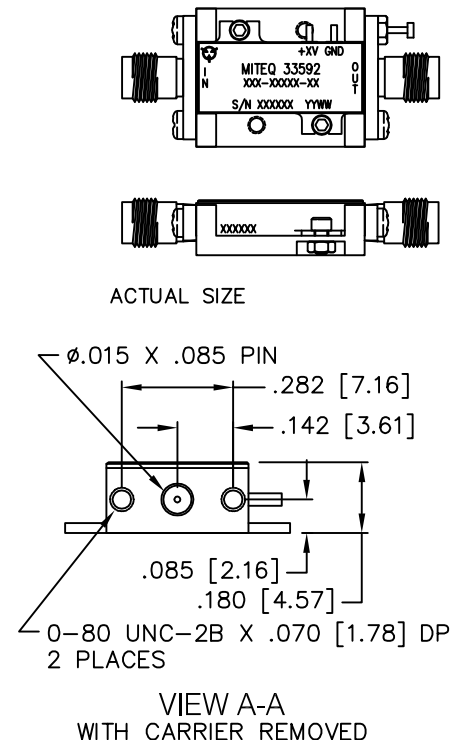
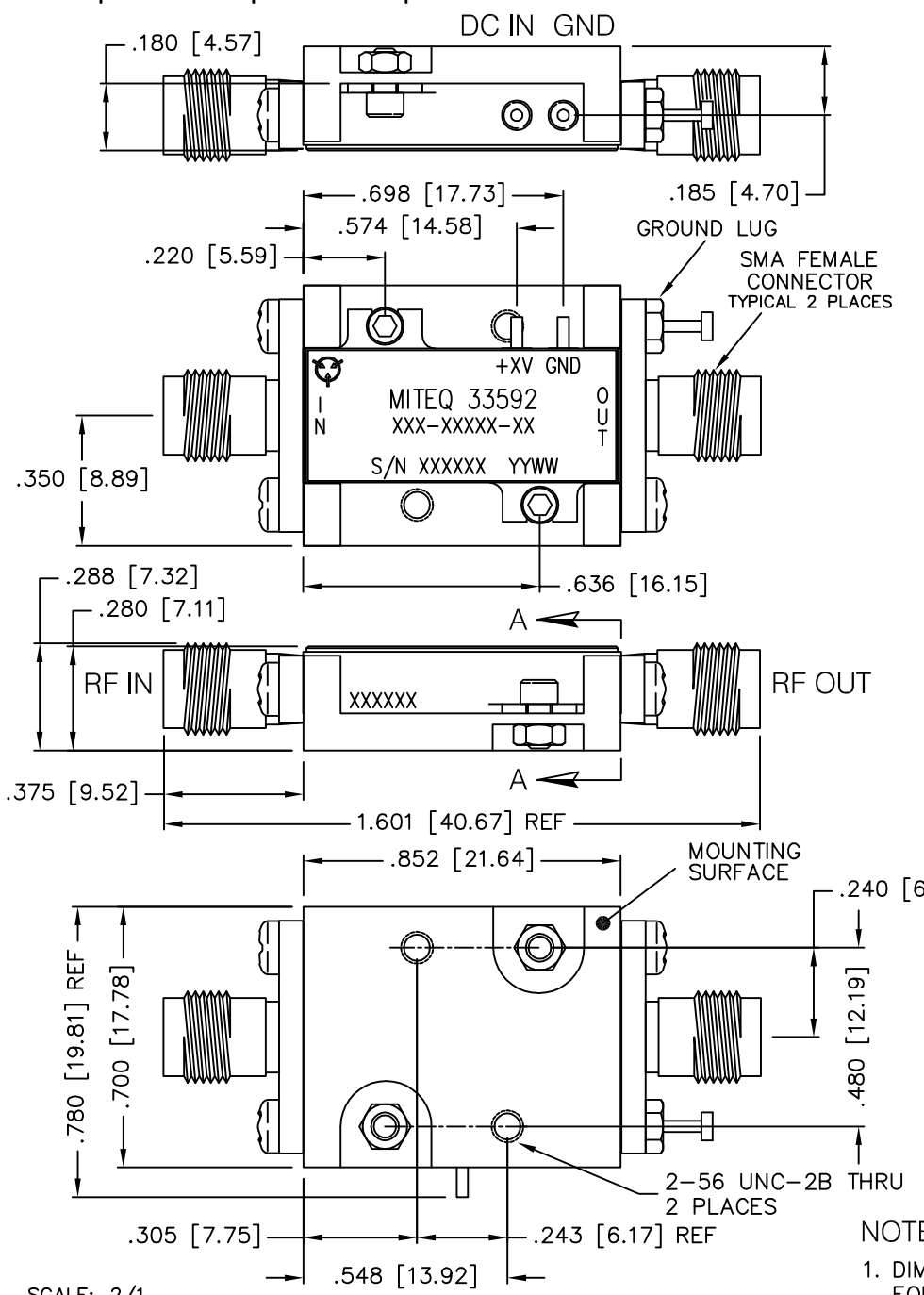


DASH NO.	APPLICATION			REVISIONS		
	NEXT ASSY	USED ON	LTR	DESCRIPTION	DATE	APPROVED
		127420	A	INITIAL RELEASE		
		113117				



NOTE
1. DIMENSIONS IN BRACKETS ARE METRIC EQUIVALENTS

SCALE: 2/1

UNLESS OTHERWISE SPECIFIED DIMENSIONS ARE IN INCHES TOLERANCES ON DECIMAL .XX ±.01 DECIMAL .XXX ±.005 ANGLES X° ±30'	CONTR NO.	
	NAME	DATE
	DWN BY RS	12/24/98
	DEPT HEAD	
	PROJ ENGR	
	Q.C.	
CUST		

100 Davids Drive, Hauppauge, New York 11788

AMPLIFIER OUTLINE,
AFS-6 WITH DUAL DC PINS

SIZE	CODE IDENT. NO.		REV
A	33592	134794	A
SCALE AS NOTED	DEPARTMENT 61	SHEET 1	OF 1