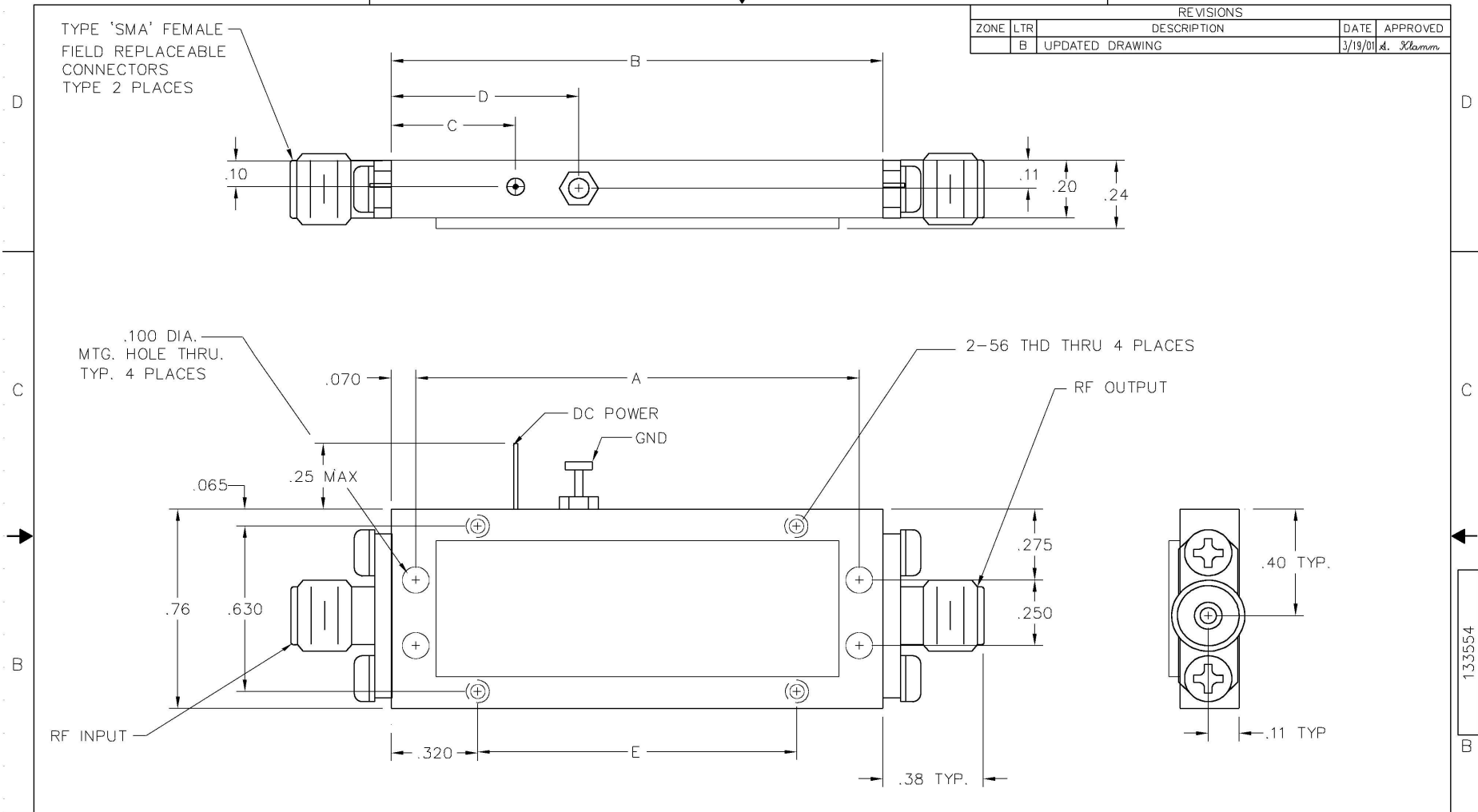


REVISIONS				
ZONE	LTR	DESCRIPTION	DATE	APPROVED
B		UPDATED DRAWING	3/19/01	A. Klammer



TYPE	A DIM	B DIM	C DIM	D DIM	E DIM
4 STAGE	1.688	1.83	.46	.69	1.188
5 STAGE	1.996	2.14	.46	.69	1.496

-5 -4 -3 -2 -1		NOMENCLATURE OR DESCRIPTION	SYM/NOTES	PART NO.	CODE IDENT.	ITEM NO.
QTY REQ'D		PARTS LIST				
UNLESS OTHERWISE SPECIFIED DIMENSIONS ARE IN INCHES TOLERANCES ON		 100 Davids Drive, Hauppauge, New York 11788				
DECIMALS .XX±.01		DRN BY: <i>W. Klammer</i> NAME: <i>W. Klammer</i> DATE: <i>7/13/98</i> CHKD BY: <i>A. Klammer</i> DATE: <i>3/19/01</i> APPROVED BY:				
ANGLES ±0°30'		PROJ ENGR: <i>N. Shakk</i> DATE: <i>4/11/01</i> ENG SECT: G.A.:				
MATERIAL		OUTLINE DRAWING 2-8 GHz, 4 & 5 STAGE HIGH FREQUENCY AMPL				
FINISH		SIZE		CODE IDENT. NO.		REV.
HOUSING 131456		C		33592		B
HOUSING 132723		SCALE		REF		
NEXT ASSY USED ON		62D000		SHEET 1 OF 1		
APPLICATION		HEAT TREAT				