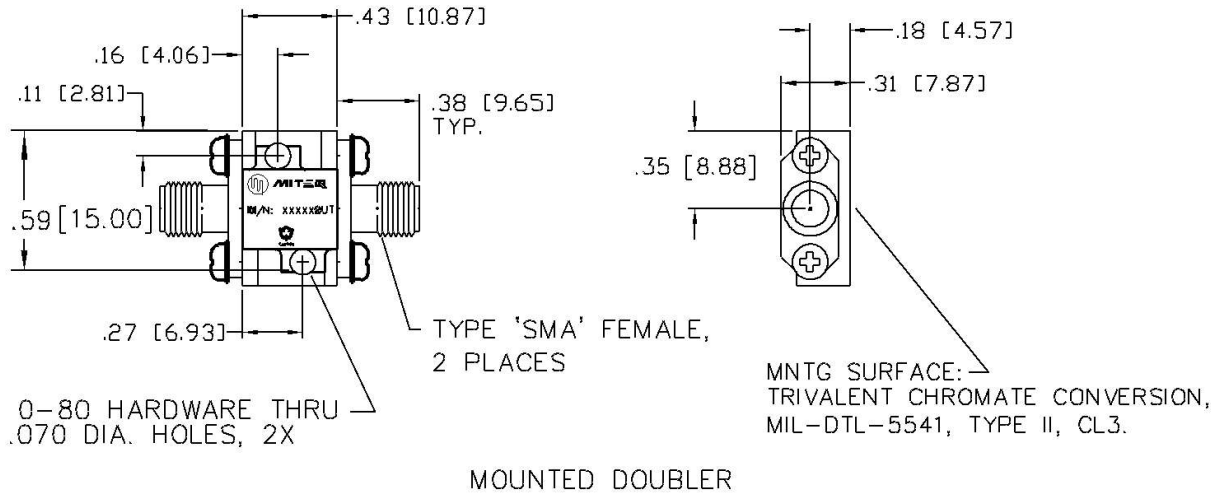
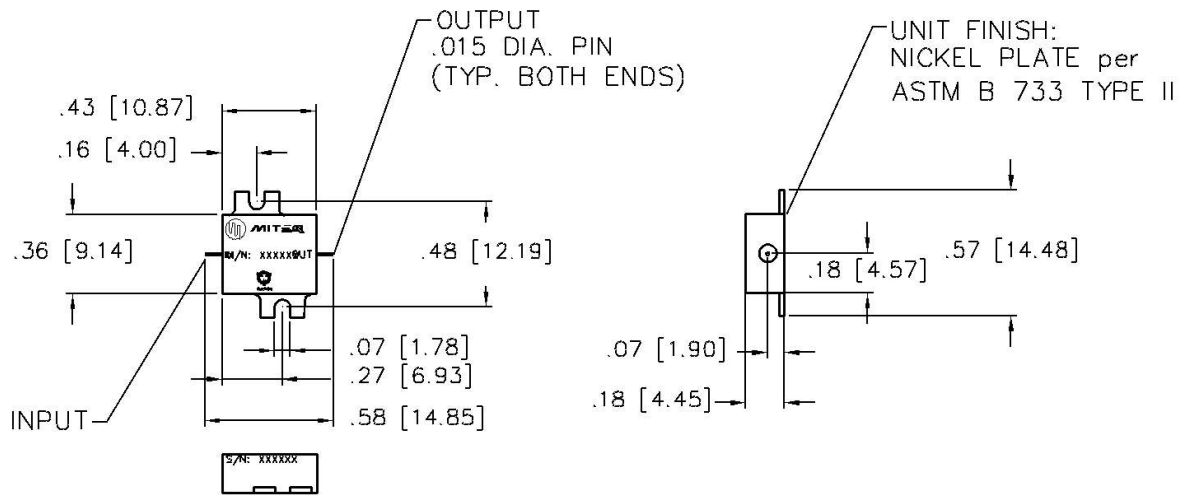


DASH NO.	APPLICATION		REVISIONS			
	NEXT ASSY	USED ON	LTR	DESCRIPTION	DATE	APPROVED
			D	Revper ECN25465 CH Notes	10/16/12	L. Cardinal
			D	Finishes updated to current Miteq STDs		



MOUNTED DOUBLER



DROP-IN DOUBLER

ALL PAGES ARE OF ORIGINAL ISSUE (A) EXCEPT AS NOTED.	CONTR NO. MQ0186519		 100 Davids Drive, Hauppauge, New York 11788	
	PREP BY NAME F. Pepe	DATE 08/22/97		
	CHKD BY L. Cardinal	DATE 10/23/12	OUTLINE DRAWING 6-26GHz FREQUENCY DOUBLER MX2...Series	
	PROJ ENGR J. Zafonte	DATE 04/03/13		
APPROVAL (PROJ)		SIZE A	CODE IDENT. NO. 33592	131218
APPROVAL (GOVT)		SCALE	REV. D	SHEET 1 OF 1