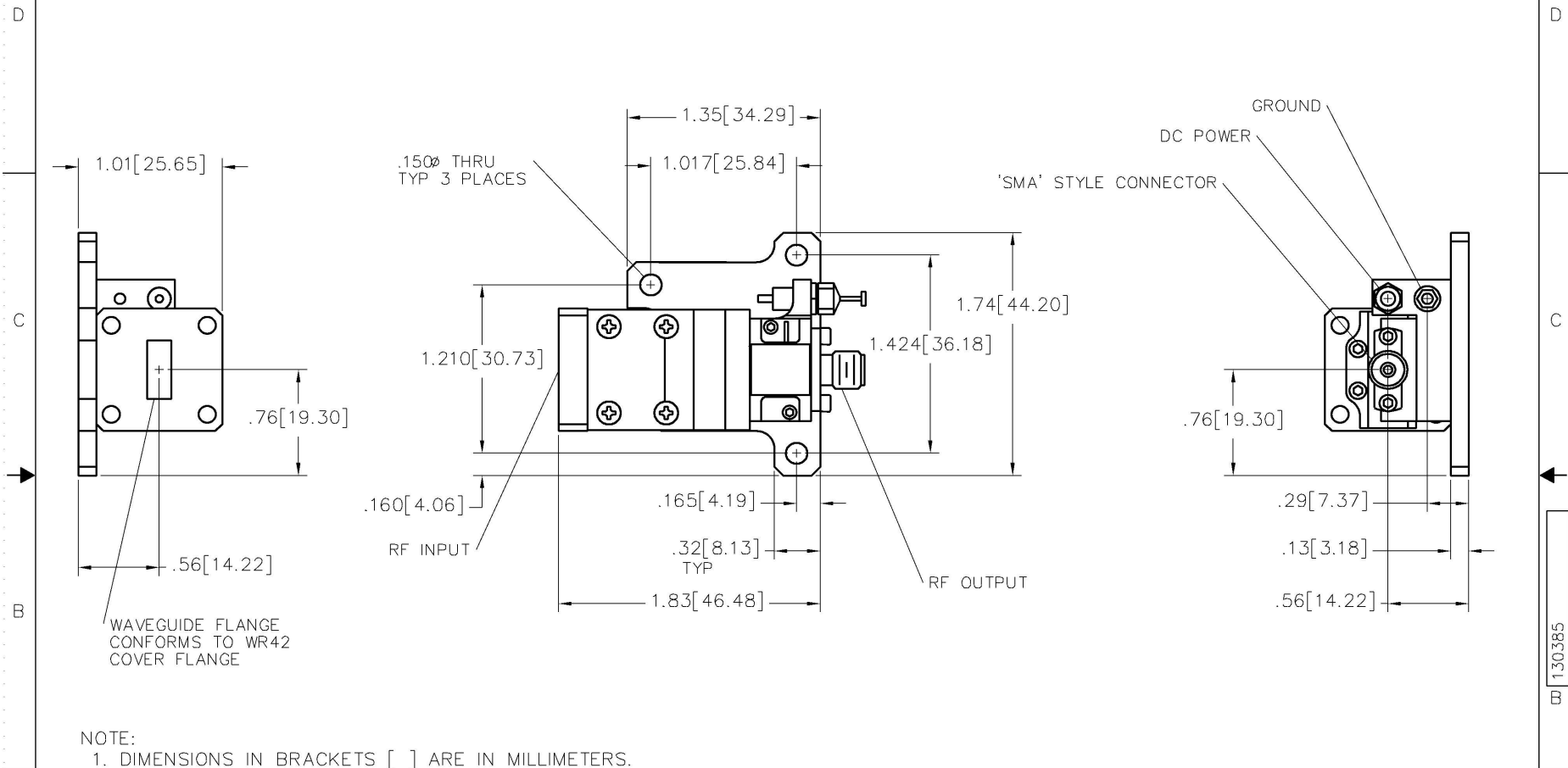


REVISIONS				
ZONE	LTR	DESCRIPTION	DATE	APPROVED
	A	INITIAL RELEASE	04/23/97	



130385

NOTE:
1. DIMENSIONS IN BRACKETS [] ARE IN MILLIMETERS.

		-5	-4	-3	-2	-1	NOMENCLATURE OR DESCRIPTION	SYM/NOTES	PART NO.	CODE IDENT.	ITEM NO.	
		QTY REQ'D					PARTS LIST					
		UNLESS OTHERWISE SPECIFIED DIMENSIONS ARE IN INCHES TOLERANCES ON					DRN BY: <i>Ed. Mandy</i>		NAME: <i>Ed. Mandy</i>		DATE: <i>04/23/97</i>	
		DECIMALS: .XX ± .01 .XXX ± .005					ANGLES: ± 0°30'		CHKD BY:		APPROVED BY:	
AMP HSG		XXXXXXXXXX					PROJ ENGR				MATERIAL	
MTG PL		XXXXXXXXXX					ENG SECT				FINISH	
K-ADPTR		127460					G.A.				APPLICATION	
W/G TRANS		126990									HEAT TREAT	
NEXT ASSY		USED ON									SCALE: 2:1 REF: 800000 SHEET 1 OF 1	
									SIZE: C		CODE IDENT. NO.: 33592 130385 REV. A	



OUTLINE DRAWING,
JSAD1 AMPLIFIER,
WR42 INPUT/'SMA' OUTPUT