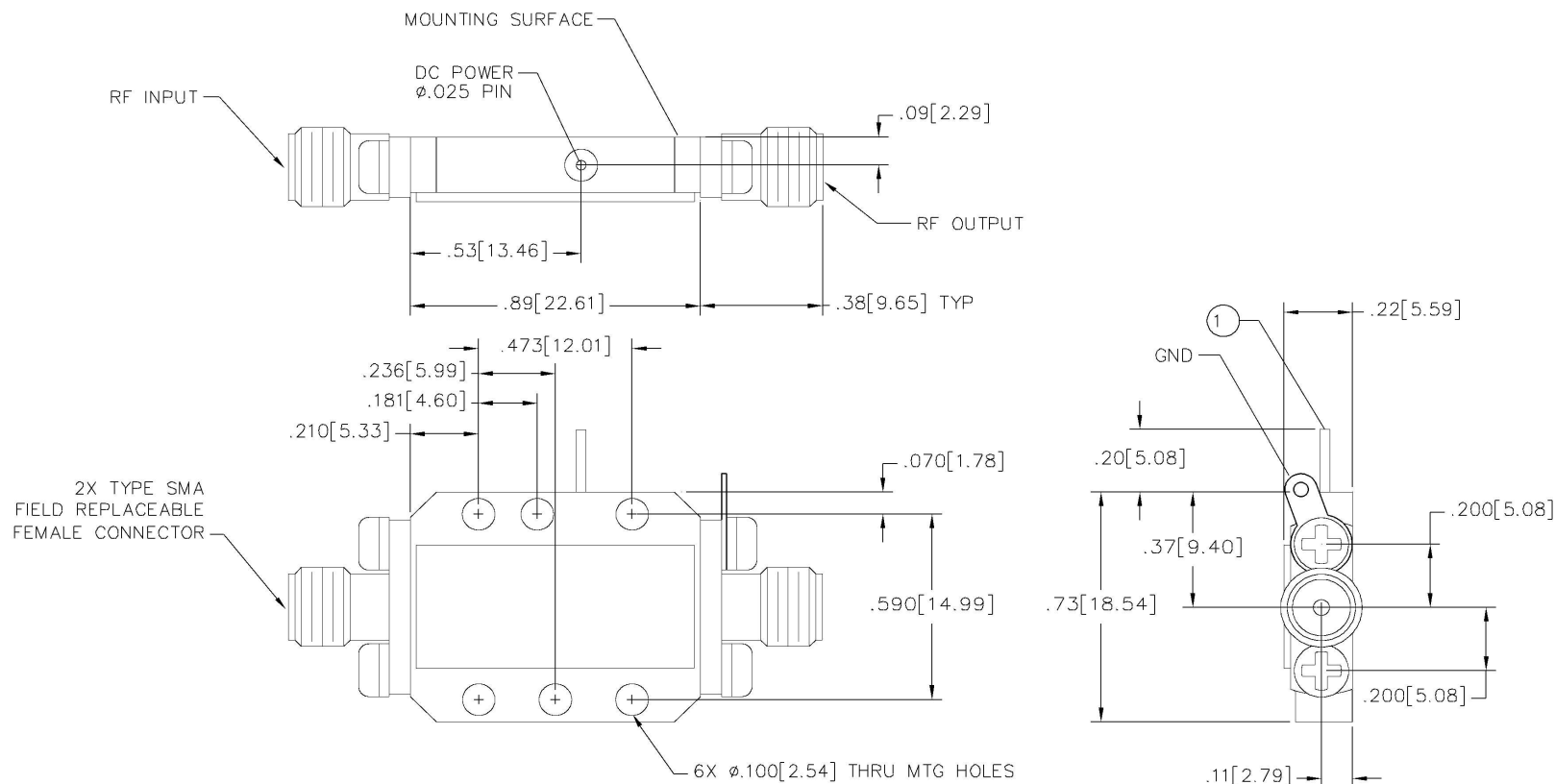


REVISIONS				
ZONE	LTR	DESCRIPTION	DATE	APPROVED
	C	.09 WAS .08	xya 11/4/97	



NOTE:

① DC POWER PIN MAY BE TRIMMED TO MEET CUSTOMER REQUIREMENTS.

-5	-4	-3	-2	-1	NOMENCLATURE OR DESCRIPTION	SYM/NOTES	PART NO.	CODE IDENT.	ITEM NO.
					QTY REQ'D	PARTS LIST			
UNLESS OTHERWISE SPECIFIED DIMENSIONS ARE IN INCHES TOLERANCES ON					DRN BY	NAME	DATE	MITEQ 100 Davids Drive, Hauppauge, New York 11788	
DECIMALS .XX±.01 ANGLES .XXX±.005 ±0°30'					CHKD BY			OUTLINE AMF SERIES .1 - 26.5 GHz HERMETIC AMP	
MATERIAL					APPROVED BY				
FINISH					PROJ ENGR			SIZE	CODE IDENT. NO.
NEXT ASSY USED ON					ENG SECT			C	33592
APPLICATION					G.A.			130184	REV. C
HEAT TREAT					SCALE 4:1		REF 450191	SHEET 1 OF 1	