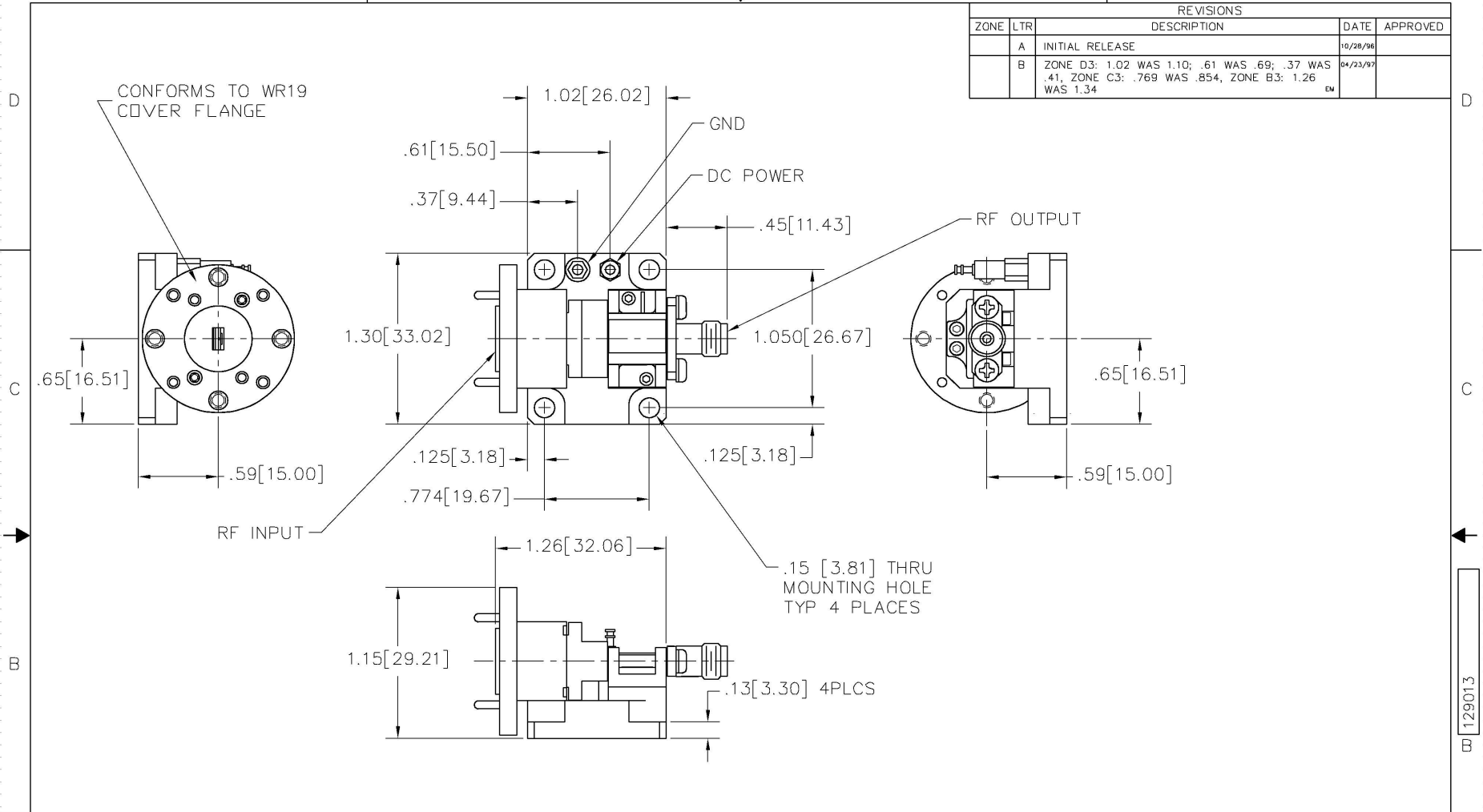


REVISIONS				
ZONE	LTR	DESCRIPTION	DATE	APPROVED
A		INITIAL RELEASE	10/28/96	
B		ZONE D3: 1.02 WAS 1.10; .61 WAS .69; .37 WAS .41, ZONE C3: .769 WAS .854, ZONE B3: 1.26 WAS 1.34	04/23/97	EM



NOTE:
1. DIMENSIONS IN BRACKETS [] ARE IN MILLIMETERS.

-5	-4	-3	-2	-1	NOMENCLATURE OR DESCRIPTION	SYM/NOTES	PART NO.	CODE IDENT.	ITEM NO.
QTY REQ'D					PARTS LIST				
UNLESS OTHERWISE SPECIFIED DIMENSIONS ARE IN INCHES TOLERANCES ON					DRN BY: <i>Ed. Mandy</i> NAME: DATE: 10/28/96 CHKD BY:		100 Davids Drive, Hauppauge, New York 11788		
DECIMALS .XX±.01 ANGLES XXX±.005 ±0°30'					APPROVED BY:		OUTLINE DRAWING, JSA AMPLIFIER WITH WR19 INPUT/V OUTPUT		
MATERIAL					PROJ ENGR		SIZE: C CODE IDENT. NO.: 33592 129013 REV. B		
FINISH					ENG SECT		SCALE: 2:1 REF: 80000 SHEET 1 OF 1		
NEXT ASSY USED ON					G.A.				
APPLICATION					HEAT TREAT				