

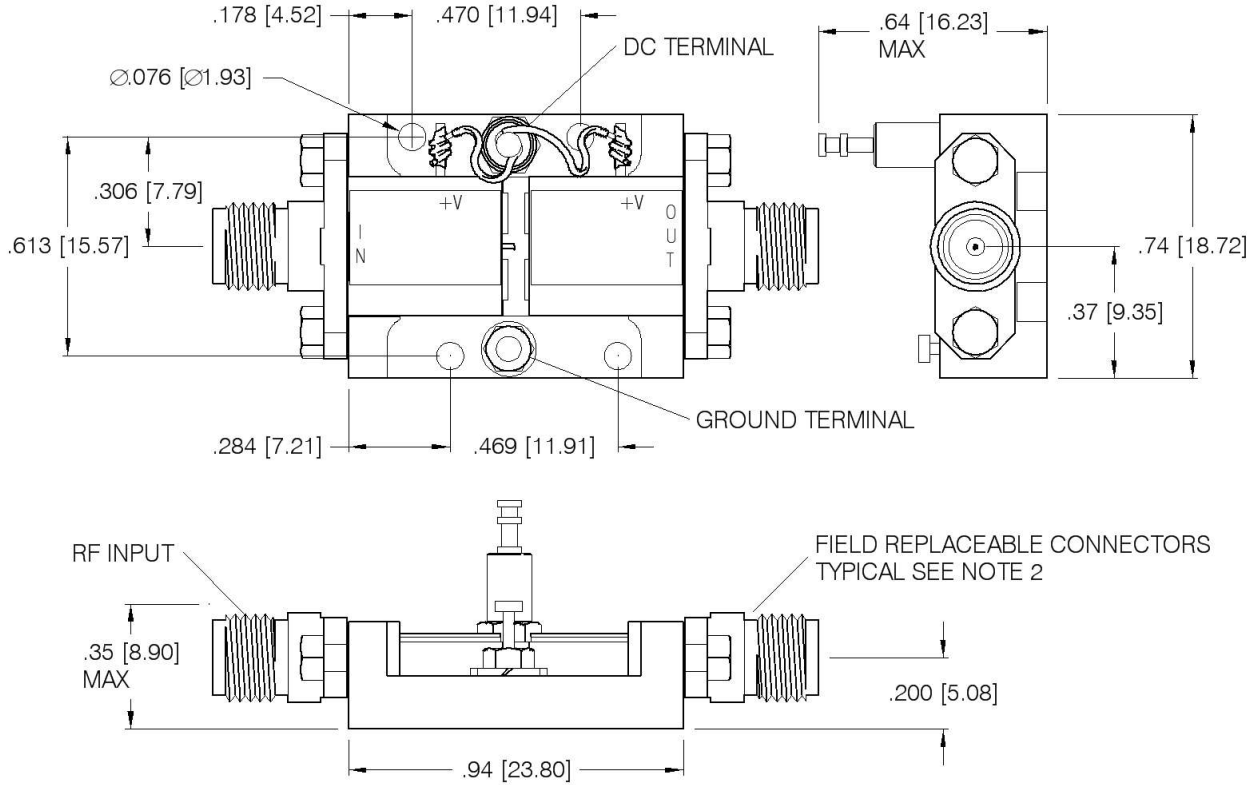
Current Revision

As of 11/9/2011 1:52:51 PM

DWALATA



DASH NO.	APPLICATION		REVISIONS			
	NEXT ASSY	USED ON	LTR	DESCRIPTION	DATE	APPROVED
	MTG PLATE	128813	J	Incorporate ECN 21387	10/26/11	<i>R.Scherer</i>



NOTES

1. DIMENSIONS IN BRACKETS [] ARE IN MM
2. CONNECTOR GENDER AND SERIES OPTIONS AVAILABLE, SMA, TYPE K OR TYPE V
3. CONNECTOR AND TERMINAL APPEARANCE MAY VARY.
4. MARKING MAY VARY AS PER CUSTOMER SPECIFICATIONS.

UNLESS OTHERWISE SPECIFIED DIMENSIONS ARE IN INCHES TOLERANCES ON	NAME	DATE	 100 Davids Drive, Hauppauge, New York 11788			
	DWN <i>E.Marty</i>	10/11/96				
DECIMAL .X ±0.1 [2.5] DECIMAL .XX ±0.01 [0.25] DECIMAL .XXX ±0.005 [0.13] ANGLES X° ±30'	DFT DGN <i>R.Scherer</i>	10/26/11	JSD TYPE PACKAGE (2 JSA MODULES) OUTLINE			
	PROJ ENGR <i>N. Shaikh</i>	10/28/11				
	MFG ENGR		SIZE	CODE IDENT. NO.		REV
	Q.C.		A	33592	129007	J
	CUST		SCALE	PROJECT	SHEET	OF