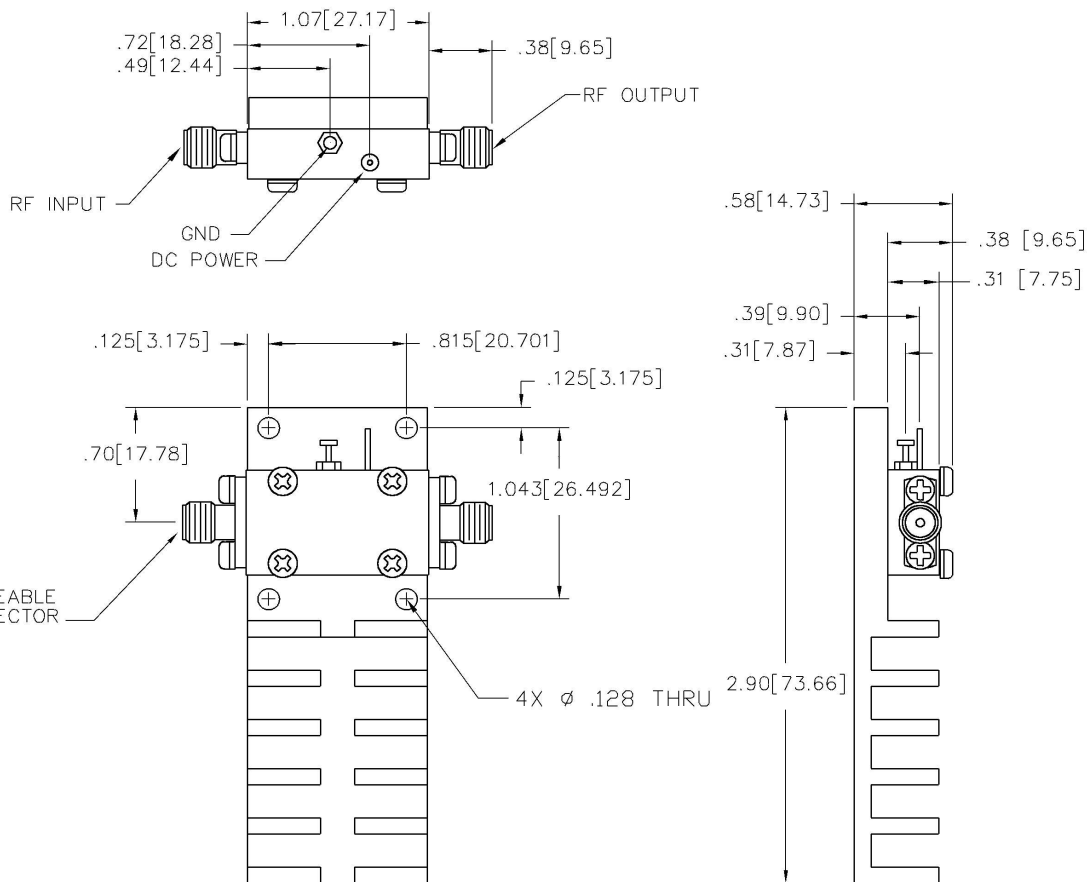


| REVISIONS | | | | |
|-----------|-----|------------------------|----------|--------------|
| ZONE | LTR | DESCRIPTION | DATE | APPROVED |
| | D | Incorporated ECN 27002 | 05/14/13 | RCJ Bovaired |



2X TYPE SMA
FIELD REPLACEABLE
FEMALE CONNECTOR

4X Ø .128 THRU

NOTE:
1. DIMENSIONS IN BRACKETS [] ARE IN MILLIMETERS.

| -5 | -4 | -3 | -2 | -1 | NOMENCLATURE OR DESCRIPTION | SYM/NOTES | PART NO. | CODE IDENT. | ITEM NO. | |
|---|----|----|----|----|-----------------------------|--------------|----------|---|-----------------|---------------------|
| | | | | | QTY REQ'D | PARTS LIST | | | | |
| UNLESS OTHERWISE SPECIFIED DIMENSIONS ARE IN INCHES TOLERANCES ON | | | | | DRN BY | NAME | DATE | 100 Davids Drive, Hauppauge, New York 11788 OUTLINE 2-20 GHz PWR AMP AMF SERIES | | |
| DECIMALS .XX±.01 .XXX±.005 | | | | | CHKD BY | RCJ Bovaired | 05/22/13 | | | |
| ANGLES ±0°30' | | | | | APPROVED BY | | | | | |
| MATERIAL | | | | | PROJ ENGR | B. Wansler | 05/30/13 | | | |
| FINISH | | | | | ENG SECT | | | SIZE | CODE IDENT. NO. | REV. |
| NEXT ASSY USED ON | | | | | G.A. | | | C | 33592 | D |
| APPLICATION | | | | | HEAT TREAT | | | SCALE | REF | 450191 SHEET 1 OF 1 |