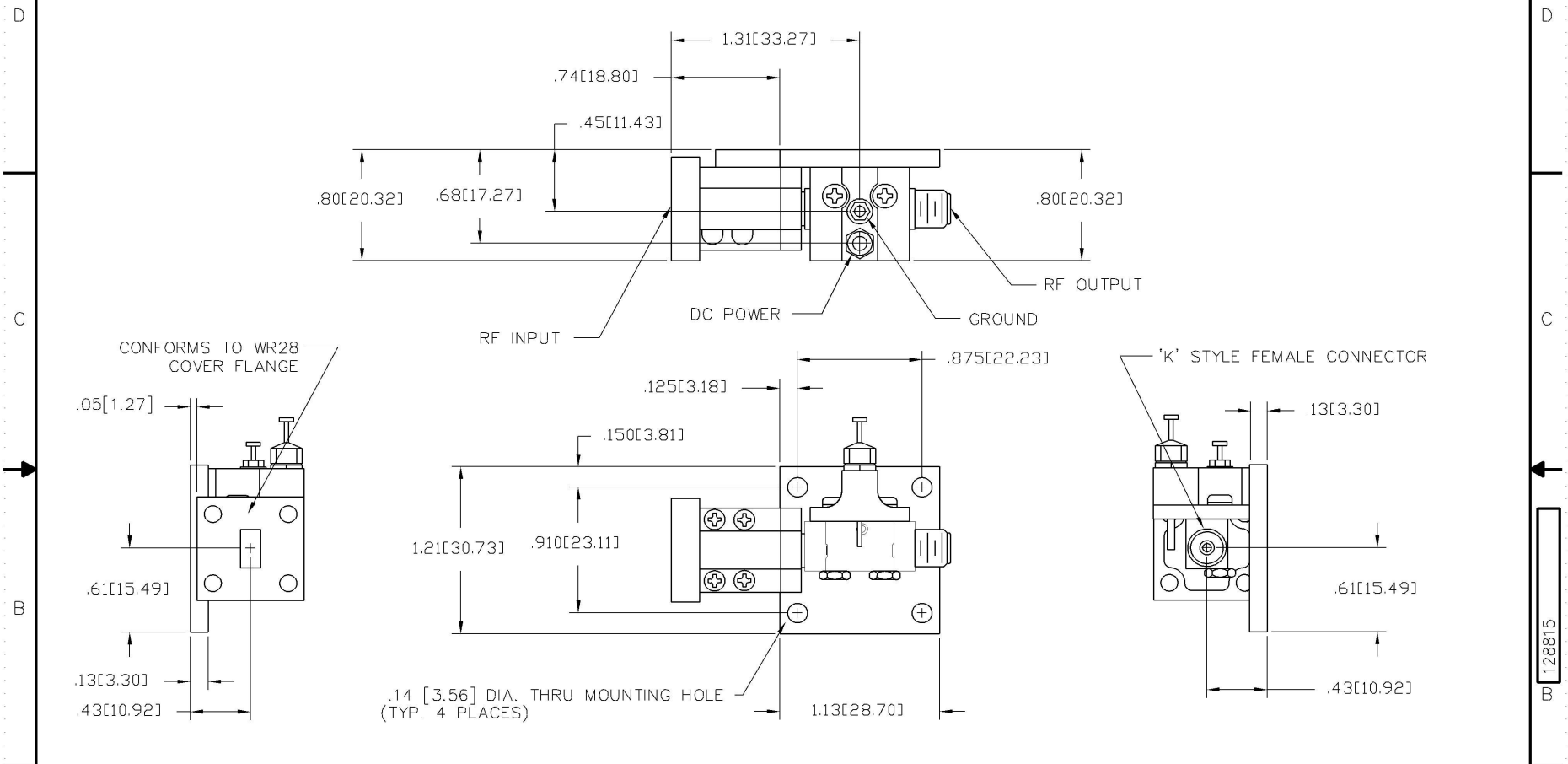


REVISIONS				
ZONE	LTR	DESCRIPTION	DATE	APPROVED
	A	INITIAL RELEASE	08/28/96	



NOTES:
1. DIMENSIONS IN BRACKETS [] ARE IN MILLIMETERS.

-5	-4	-3	-2	-1	NOMENCLATURE OR DESCRIPTION	SYM/NOTES	PART NO.	CODE IDENT.	ITEM NO.
QTY REQ'D					PARTS LIST				
UNLESS OTHERWISE SPECIFIED DIMENSIONS ARE IN INCHES TOLERANCES ON					DRN BY: <i>Ed. Mandy</i> NAME: Ed. Mandy DATE: 08/28/96 CHKD BY: _____ APPROVED BY: _____ PROJ ENGR: _____ ENG SECT: _____ G.A.: _____		100 Davids Drive, Hauppauge, New York 11788 OUTLINE DRAWING, JS2WK AMPLIFIER WITH WR28 INPUT/'K' OUTPUT		
MATERIAL					FINISH		SIZE	CODE IDENT. NO.	REV.
MTG. PLATE 127754							C	33592	A
HOUSING 123105								128815	
NEXT ASSY USED ON					APPLICATION		SCALE 2:1	REF 80D000	SHEET 1 OF 1
					HEAT TREAT				