

REVISIONS			
ZONE	LTR	DESCRIPTION	DATE APPROVAL
D		ADDED DASH TABLE, UPDATED NOTES	7/1/2007 <i>3/2</i> <i>Boonard</i>

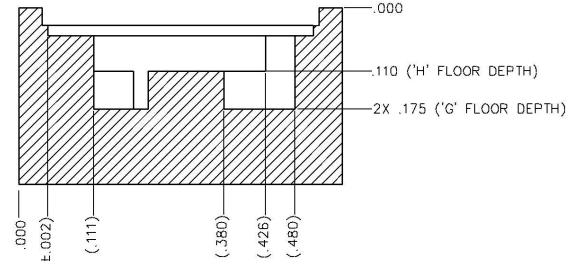
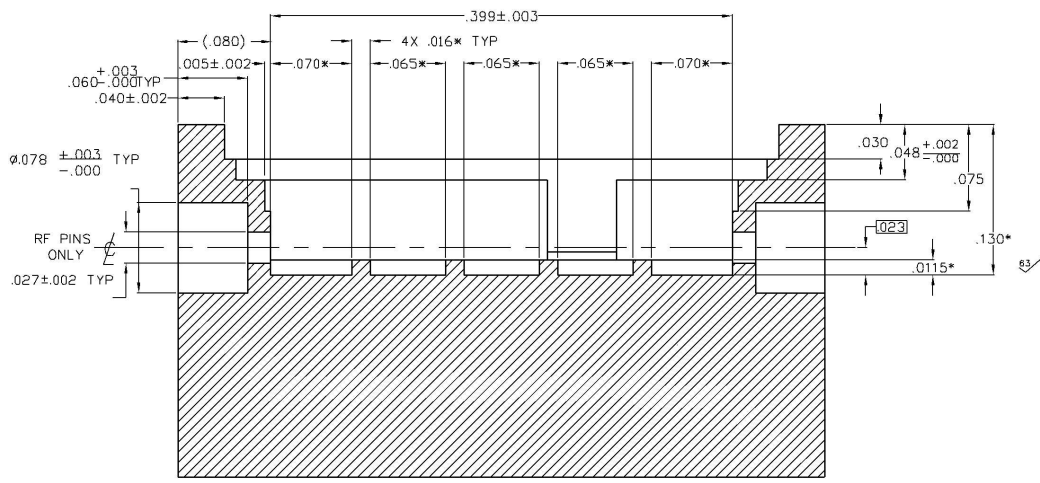
DASH NUMBER TABLE	
DASH	DESCRIPTION
-1	HOUSING
-2	N/A
-3	N/A
-4	N/A
-5	N/A
-8	COVER

NOTES:

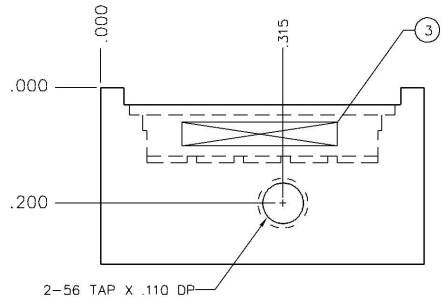
1. FINISH: ALL DIMENSIONS ARE TAKEN AFTER PLATING. SODIUM ZINCATE ELECTROLESS NICKEL PLATE .0002 - .0004 PER SAE AMS-C-26074B (NON-CURRENT) GOLD PER ASTM-B-488, TYPE 1, CODE A, .000025-.00004
2. DIMENSIONS INDICATED BY AN ASTERISK ARE ±.001.
3. LASER MARK P.N., REV., LOT NO. & DATE CODE IN .06/.09 HIGH CHARACTERS.
4. MINIMUM FULL THREAD. DO NOT BREAK THRU. TYP BOTH ENDS.
5. HOUSING TO BE FREE OF TOOL MARKS & BURRS TO 10X POWER.

QTY REQ'D		NOMENCLATURE OR DESCRIPTION				SYM/NOTES		PART NO.		CODE IDENT		ITEM NO.	
		UNLESS OTHERWISE SPECIFIED DIMENSIONS ARE IN INCHES TOLERANCES ON				DRN BY: <i>NAME</i> DATE: <i>8/5/1995</i>		MATERIAL: 6061-T6 ALUMINUM ALLOY		APPROVED BY: <i>DATE</i> <i>7/12/2007</i>		MITEQ 100 Davids Drive, Hauppauge, New York 11788	
		DECIMALS .XXX±.005 ANGLES ±0°30'				CHK BY: <i>3/2 Boonard</i> <i>7/1/2007</i>		FINISH: SEE NOTE #1		SIZE: D 33592		CODE IDENT NO: 128063	
		HEAT TREAT				G.A.		SCALE: REF 459491		SHEET 1 OF 2		REV. D	

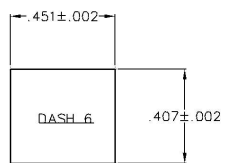
REVISIONS			
ZONE	LTR	DESCRIPTION	DATE APPROVAL
D		ADDED DASH TABLE, UPDATED NOTES	7/17/07 <i>KJ</i> <i>Boonard</i>



SECT F-F
SCALE 10:1



VIEW F-F
SCALE 10:1



COVER DETAIL
SCALE 4:1
MATERIAL: .015 THK

SYM	DESCRIPTION	QTY	NEXT ASSY	USED ON	APPLICATION	HEAT TREAT	DEPT 45	SCALE	REF	459491	SHEET	2 OF 2
	HOLE DATA TABLE											

NOMENCLATURE OR DESCRIPTION				SYM/NOTES	PART NO.	CODE IDENT	ITEM NO.									
-5	-4	-3	-2	-1												
QTY REQ'D				PARTS LIST												
UNLESS OTHERWISE SPECIFIED DIMENSIONS ARE IN INCHES TOLERANCES ON				<table border="1"> <tr> <td>DRN BY</td> <td>NAME</td> <td>DATE</td> </tr> <tr> <td>CHKD BY</td> <td><i>KJ</i></td> <td><i>7/17/07</i></td> </tr> </table>				DRN BY	NAME	DATE	CHKD BY	<i>KJ</i>	<i>7/17/07</i>			
DRN BY	NAME	DATE														
CHKD BY	<i>KJ</i>	<i>7/17/07</i>														
DECIMALS .XXX				ANGLES ±0°30'												
MATERIAL 6061-T6 ALUMINUM ALLOY				APPROVED BY												
FINISH SEE NOTE #1				<table border="1"> <tr> <td>PROJ ENGR</td> <td>TTC</td> <td>7/17/2007</td> </tr> <tr> <td>CHKD</td> <td></td> <td></td> </tr> <tr> <td>G.A.</td> <td></td> <td></td> </tr> </table>				PROJ ENGR	TTC	7/17/2007	CHKD			G.A.		
PROJ ENGR	TTC	7/17/2007														
CHKD																
G.A.																
MATERIAL 6061-T6 ALUMINUM ALLOY				<table border="1"> <tr> <td>SIZE</td> <td>CODE IDENT. NO.</td> <td>REV.</td> </tr> <tr> <td>D</td> <td>33592</td> <td>D</td> </tr> </table>				SIZE	CODE IDENT. NO.	REV.	D	33592	D			
SIZE	CODE IDENT. NO.	REV.														
D	33592	D														
HOUSING DRAWING				<table border="1"> <tr> <td>128063</td> <td>128063</td> <td>D</td> </tr> </table>				128063	128063	D						
128063	128063	D														
18+ GHz.				<table border="1"> <tr> <td>459491</td> <td>128063</td> <td>2 OF 2</td> </tr> </table>				459491	128063	2 OF 2						
459491	128063	2 OF 2														
4 STAGE AMPLIFIER																