

4

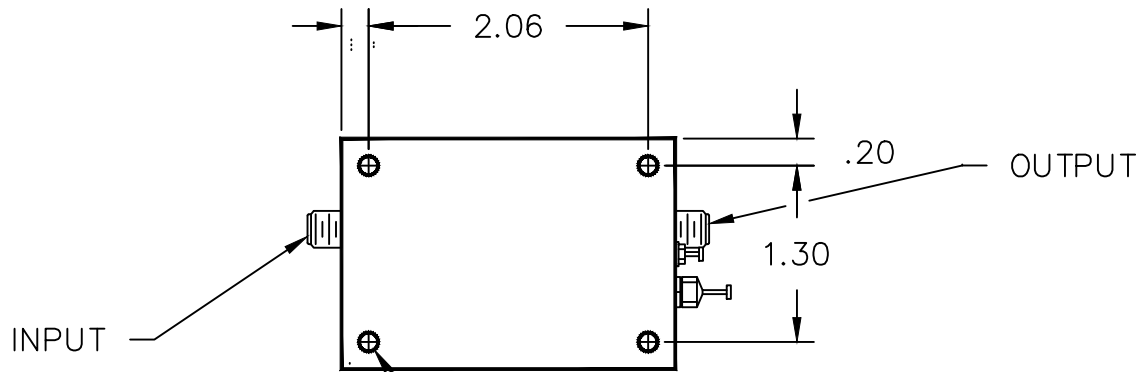
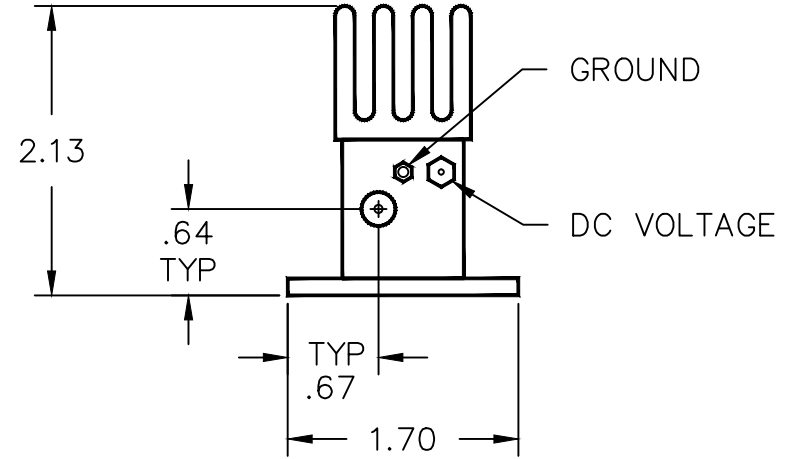
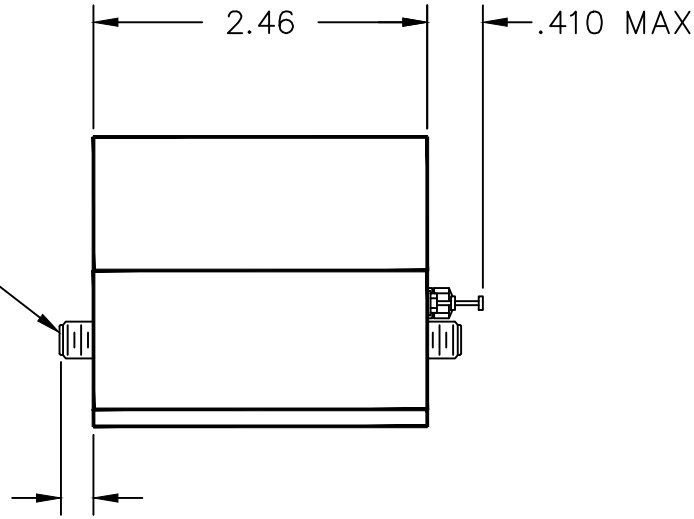
3

2

1

REVISIONS				
ZONE	LTR	DESCRIPTION	DATE	APPROVED
	C	Incorporated ECN 36559	08/13/16	CARMINE VERRONE

RF CONNECTOR  
TYPE SMA  
TYP



.140 DIA THRU,  
TYP 4 MOUNTING HOLES

PRINT NOT ON AUTOMATIC DISTRIBUTION VERIFY REVISION PRIOR TO USE

<p>Narda-MITEQ PROPRIETARY THIS DOCUMENT CONTAINS INFORMATION WHICH IS PROPRIETARY TO NARDA-MITEQ. THE CONTENTS SHALL NOT BE DISCLOSED, COPIED, DISTRIBUTED, OR USED UNLESS AUTHORIZED BY AN OFFICER OF NARDA-MITEQ.</p>			UNLESS OTHERWISE SPECIFIED DIMENSIONS ARE IN INCHES TOLERANCES ON DECIMALS ANGLES .XX±.01 .XXX±.005 ±0°30'	451191		<p>435 MORELAND RD HAUPPAUGE, NY 11788</p>																							
					<table border="1"> <tr> <td>DRAWN</td> <td>NAME</td> <td>DATE</td> </tr> <tr> <td></td> <td>JA</td> <td>03/21/95</td> </tr> <tr> <td>DRAFT DESIGN</td> <td>CARMINE VERRONE</td> <td>09/21/16</td> </tr> </table>		DRAWN	NAME	DATE		JA	03/21/95	DRAFT DESIGN	CARMINE VERRONE	09/21/16	APPROVED BY		<p>OUTLINE DWG. MEDIUM POWER AMPLIFIER W/HEATSINK</p>											
DRAWN	NAME	DATE																											
	JA	03/21/95																											
DRAFT DESIGN	CARMINE VERRONE	09/21/16																											
<p>THESE ITEM(S)/TECHNOLOGY CONTAIN INFORMATION SUBJECT TO U.S. GOVERNMENT EXPORT CONTROL IN ACCORDANCE WITH THE EXPORT ADMINISTRATION REGULATIONS (EAR), 15 CFR PARTS 730-744. EXPORT OF THIS DATA TO ANY FOREIGN COUNTRY OR DISCLOSURE OF THIS DATA TO ANY NON-US PERSON MAY BE A VIOLATION OF FEDERAL LAW.</p>	<table border="1"> <tr> <td>BASE PLATE</td> <td>110380-29</td> </tr> <tr> <td>HEAT SINK</td> <td>110363-29</td> </tr> <tr> <td>HOUSING</td> <td>111069</td> </tr> <tr> <td>NEXT ASSY</td> <td>USED ON</td> </tr> </table>	BASE PLATE	110380-29	HEAT SINK	110363-29	HOUSING	111069	NEXT ASSY	USED ON			<table border="1"> <tr> <td>PROJ ENGR</td> <td>J. Sepulveda</td> <td>09/22/16</td> </tr> <tr> <td>MFG ENGR</td> <td></td> <td></td> </tr> <tr> <td>O.A.</td> <td></td> <td></td> </tr> </table>	PROJ ENGR	J. Sepulveda	09/22/16	MFG ENGR			O.A.			<table border="1"> <tr> <td>SIZE</td> <td>CODE IDENT. NO.</td> <td>REV.</td> </tr> <tr> <td>C</td> <td>99899</td> <td>C</td> </tr> </table>	SIZE	CODE IDENT. NO.	REV.	C	99899	C	<p>125420</p>
BASE PLATE	110380-29																												
HEAT SINK	110363-29																												
HOUSING	111069																												
NEXT ASSY	USED ON																												
PROJ ENGR	J. Sepulveda	09/22/16																											
MFG ENGR																													
O.A.																													
SIZE	CODE IDENT. NO.	REV.																											
C	99899	C																											
APPLICATION				AUTOCAD FILE FORMAT	SCALE	REF	SHEET 1 OF 1																						

125420

AUTOCAD 16/26/11

4

3

2

1