

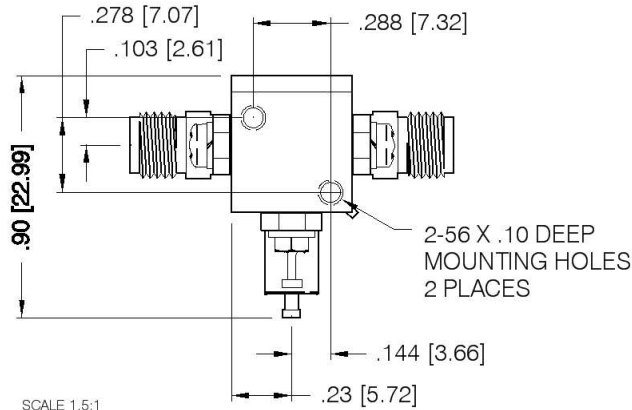
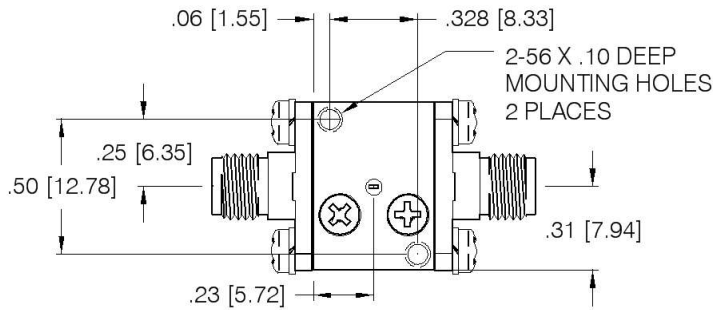
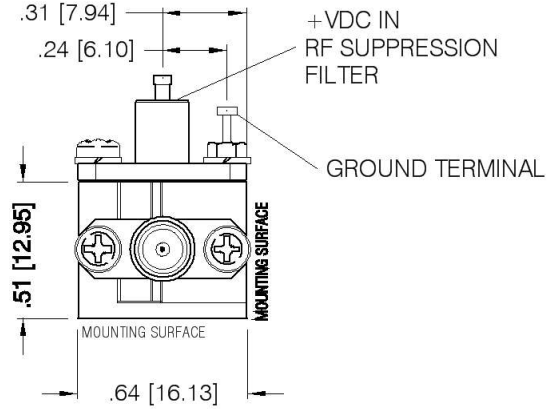
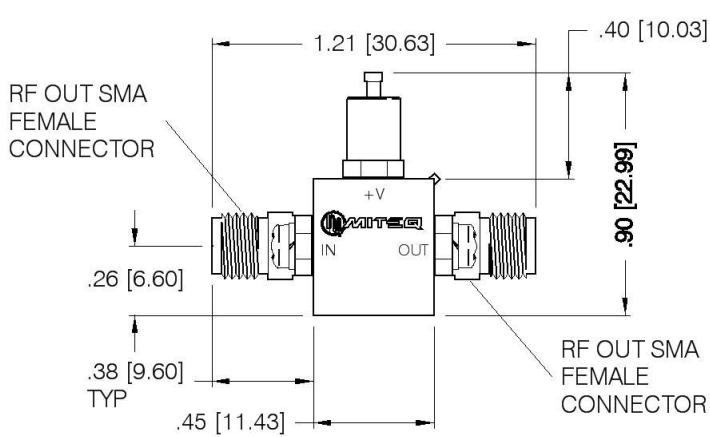
# Current Revision

As of 4/28/2010 11:12:51 AM

DWALATA



DASH NO.	APPLICATION		REVISIONS			
	NEXT ASSY	USED ON	LTR	DESCRIPTION	DATE	APPROVED
	124226		F	Incorporate ECN 15859	04/27/10	



SCALE 1.5:1

### NOTE

1. DIMENSIONS IN BRACKETS ARE METRIC EQUIVALENT
2. OUTER HOUSING AND CONNECTORS STAINLESS STEEL PASSIVATED

UNLESS OTHERWISE SPECIFIED DIMENSIONS ARE IN INCHES TOLERANCES ON	NAME	DATE	 100 Davids Drive, Hauppauge, New York 11788			
	DWN <i>R. Scherer</i>	10/24/94				
DECIMAL .X ±0.1 DECIMAL .XX ±0.01 DECIMAL .XXX ±0.005 ANGLES X° ±30'	DFT		<b>AFSM-C AMPLIFIER SERIES OUTLINE</b>			
	DES					
	PROJ ENGR <i>J. Buonaiuto</i>	04/28/10	SIZE	CODE IDENT. NO.		REV
	MFG ENGR		A	33592	124244	F
	Q.C.		SCALE	PROJECT	SHEET	OF
	CUST					