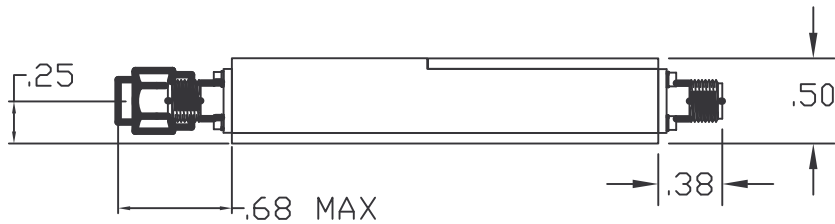
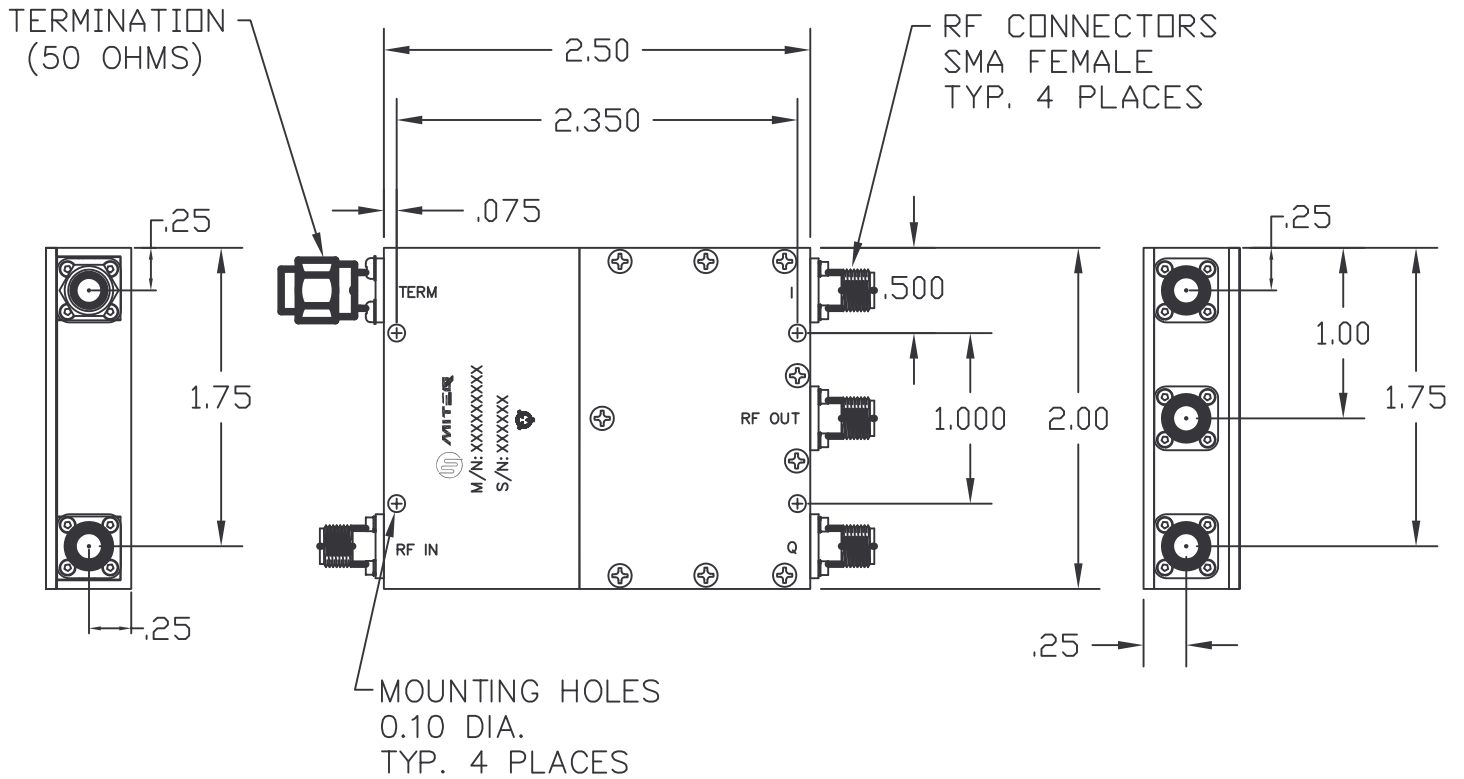



DASH NO.	APPLICATION		REVISIONS			
	NEXT ASSY	USED ON	LTR	DESCRIPTION	DATE	APPROVED
			C	RevPer ECN18429 CH Dim .67 to	12/13/10	L. Cardinal
			C	.68 MAX.		



FINISH: NICKEL

ALL PAGES ARE OF ORIGINAL ISSUE (A) EXCEPT AS NOTED.	CONTR NO. MQ0143345		 100 Davids Drive, Hauppauge, New York 11788		
	PREP BY NAME <i>AL</i>	DATE 10/12/92			
UNLESS OTHERWISE SPECIFIED DIMENSIONS ARE IN INCHES (MM) TOLERANCES ON DECIMAL ANGLES .XX±.01 XXX±.005 ±0°30'	CHKD BY <i>L. Cardinal</i>	DATE 12/13/10	OUTLINE DRAWING S/SBAND MODULATOR C1 PKG w/ COUPLER		
	PROJ ENGR <i>J. Jafonte</i>	DATE 12/13/10			
	APPROVAL (PROJ)		SIZE A	CODE IDENT. NO. 33592	119868
	APPROVAL (GOVT)		SCALE	REV. C	SHEET 1 OF 1