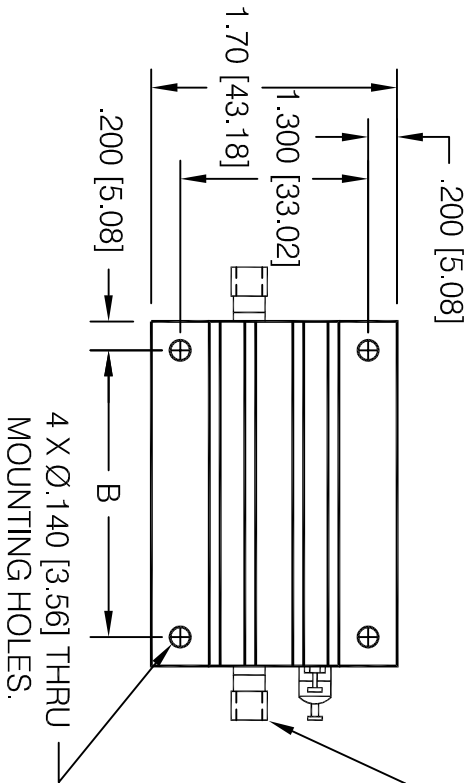
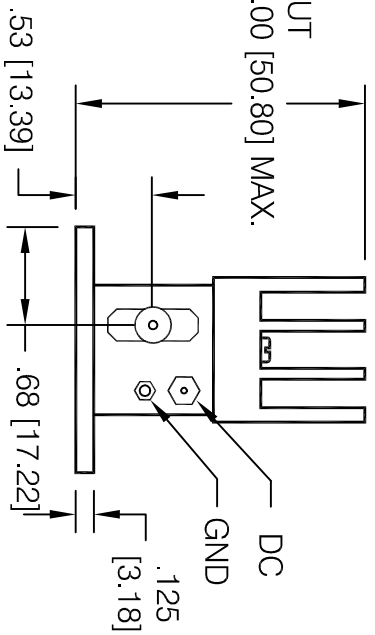
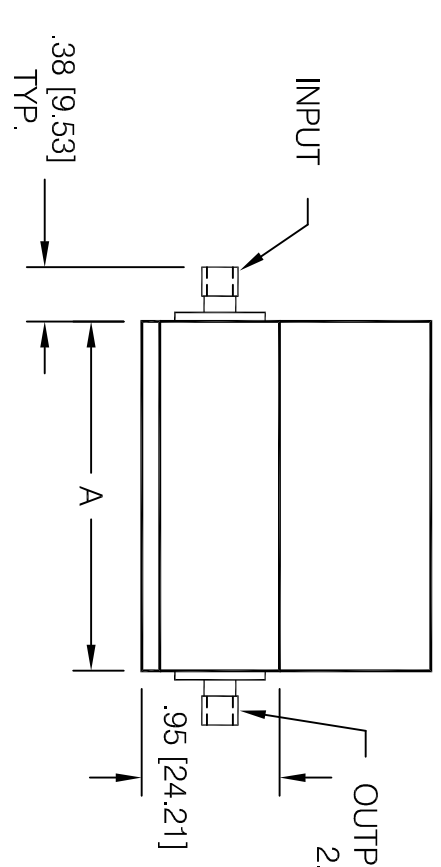
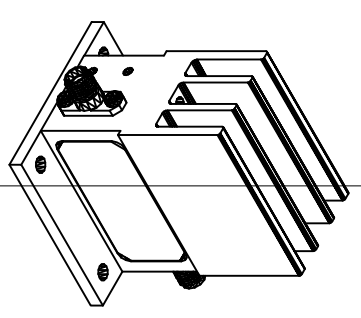


REVISIONS			
ZONE	LTR	DESCRIPTION	DATE
D		ADDED MODEL	7/26/2006
			Approved



2 X FIELD REPLACEABLE TYPE SMA FEMALE CONNECTOR



NOTE BASEPLATE AND HEATSINK ARE FIELD REMOVABLE

DASH NO.	DIM 'A'	DIM 'B'
-1	1.13 [28.70]	.729 [18.52]
-2	1.36 [34.54]	.956 [24.28]
-3	1.68 [42.67]	1.283 [32.59]
-4	2.01 [51.05]	1.61 [40.89]
-5	2.34 [59.44]	1.937 [49.20]
-6	2.66 [67.56]	2.264 [57.51]
-7	2.99 [75.95]	2.591 [65.81]
-8	3.32 [84.33]	2.918 [74.12]
-9	3.64 [92.46]	3.245 [82.42]

QTY REQD	-5	-4	-3	-2	-1	NOMENCLATURE OR DESCRIPTION	SYM/NOTES	PART NO.	CODE IDENT. NO.	ITEM NO.

UNLESS OTHERWISE SPECIFIED DIMENSIONS ARE IN INCHES TOLERANCES ON		ANGLES	
DECIMALS	.XXX±.005	±0°30'	
DRAWN BY	Scopovaird	DATE	4/25/1991
CHKD BY	Scopovaird	DATE	7/26/2006
APPROVED BY	msd	DATE	7/27/2006

PARTS LIST	
OUTLINE AMF SERIES	117469
HI FREQ. WIDE BAND	
PWR AMPL. FIELD REPLACEABLE CONN	

FINISH	SCALE	REF	SHEET	1 OF	1
	C	33592	45D219	1	1

DASH NO.	DIM 'A'	DIM 'B'
-1	1.13 [28.70]	.729 [18.52]
-2	1.36 [34.54]	.956 [24.28]
-3	1.68 [42.67]	1.283 [32.59]
-4	2.01 [51.05]	1.61 [40.89]
-5	2.34 [59.44]	1.937 [49.20]
-6	2.66 [67.56]	2.264 [57.51]
-7	2.99 [75.95]	2.591 [65.81]
-8	3.32 [84.33]	2.918 [74.12]
-9	3.64 [92.46]	3.245 [82.42]