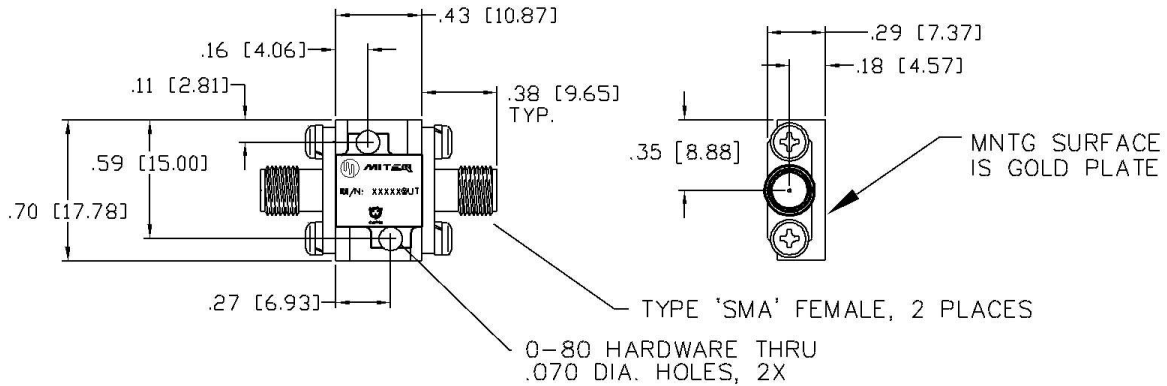
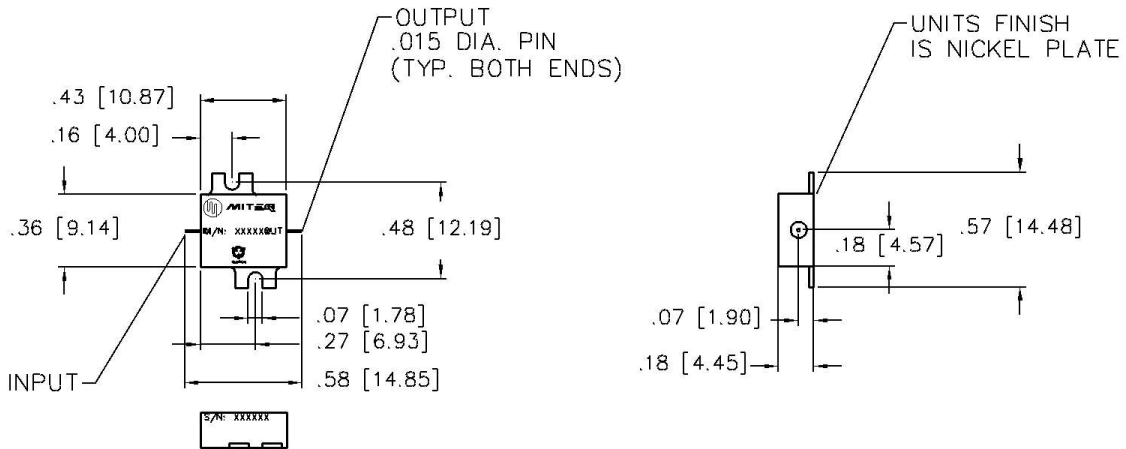


DASH NO.	APPLICATION		REVISIONS			
	NEXT ASSY	USED ON	LTR	DESCRIPTION	DATE	APPROVED
			B	ASQL-Format, Add missing Dims	2/6/2006	L. Cardinal



- DOUBLER MAY BE READILY USED AS IS, BY REMOVING EXISTING 0-80 HARDWARE AND SUBSTITUTING SUPPLIED LONGER 0-80 SCREWS FOR CUSTOMER MOUNTING.



- AS A "DROP-IN" DOUBLER BY REMOVING "SMA" CONNECTORS AND MOUNTING HARWARE AS SHOWN.

ALL PAGES ARE OF ORIGINAL ISSUE (A) EXCEPT AS NOTED.	CONTR NO. MQ0146076		 100 Davids Drive, Hauppauge, New York 11788		
	PREP BY NAME WR	DATE 5/1/1989			
	CHKD BY L. Cardinal	DATE 2/6/2006	OUTLINE DRAWING FREQUENCY DOUBLER MX2...Series		
	PROJ ENGR B. Zang	DATE 2/7/2006			
	APPROVAL (PROJ)		SIZE A	CODE IDENT. NO. 33592	114710
	APPROVAL (GOVT)		SCALE	REV. B	SHEET 1 OF 1