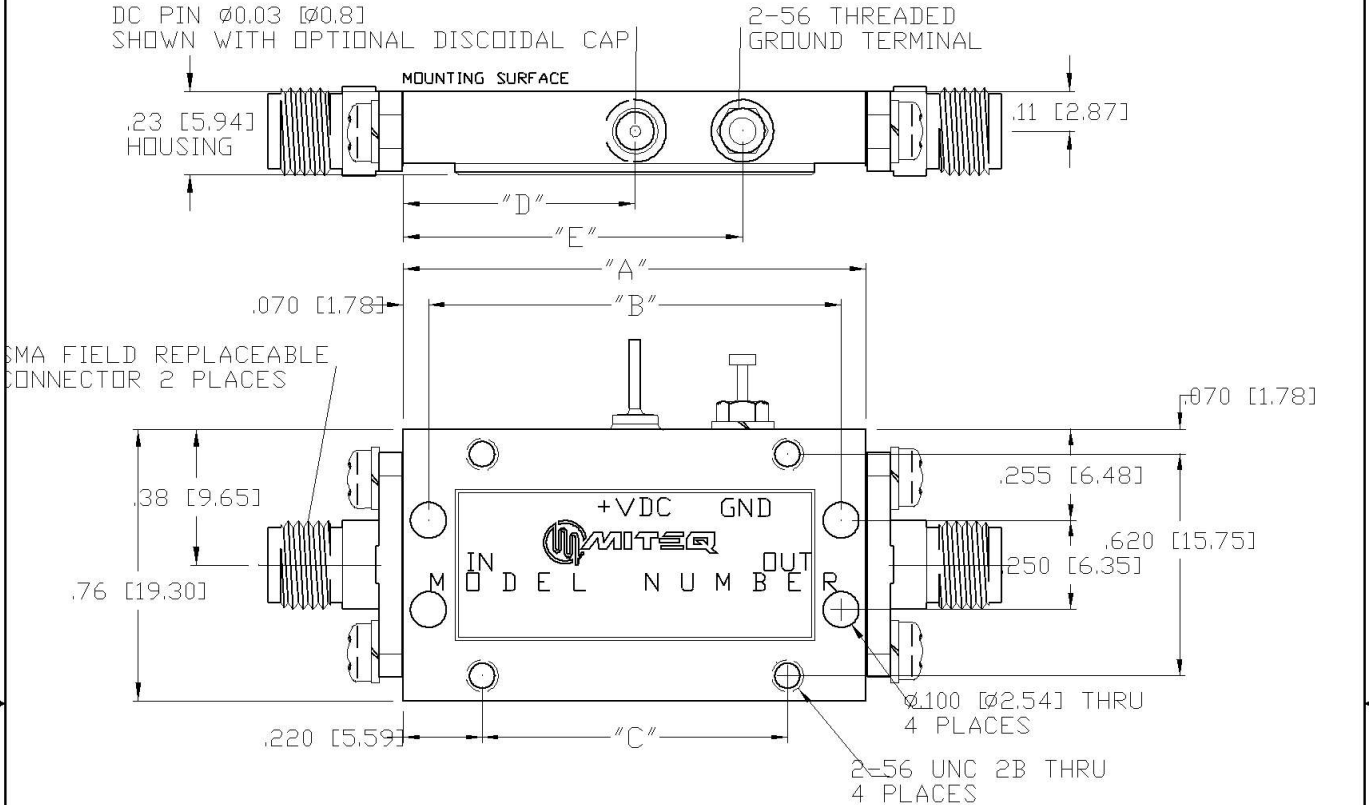


DASH NO.	APPLICATION		REVISIONS			
	NEXT ASSY	USED ON	LTR	DESCRIPTION	DATE	APPROVED
			J	Incorporate ECN 30148	02/07/14	RScherer



DASH	"A"	"B"	"C"	"D"	"E"	HOUSING
2 STAGE	.047 [26.59]	.907 [23.04]	.607 [15.42]	.40 [10.26]	.65 [16.56]	135127
3 STAGE	.294 [32.88]	1.154 [29.32]	.857 [21.77]	.65 [16.46]	.95 [24.08]	127411
4 STAGE	.694 [43.03]	1.554 [39.47]	1.254 [31.85]	.65 [16.46]	.95 [24.08]	112727
5 STAGE	1.944 [49.38]	1.804 [45.82]	1.504 [38.20]	.65 [16.46]	.95 [24.03]	135177

- NOTES:
1. DIMENSIONS IN BRACKETS ARE METRIC EQUIVALENTS. SEE LEGEND
 2. MARKING MAY VARY AS PER CUSTOMER SPECIFICATIONS.
 3. FEMALE CONNECTOR STANDARD MALE OPTIONAL
 4. THIS PRODUCT IS RoHS COMPLIANT

UNLESS OTHERWISE SPECIFIED DIMENSIONS ARE IN INCHES TOLERANCES ON	NAME	DATE	 100 Davids Drive, Hauppauge, New York 11788			
	DWN JTroiano	08/15/84				
DECIMAL .X ±0.1 [2.5]	DFT RScherer	02/07/14	AFD SERIES AMPLIFIER 4-12 GHz, 2-7 STAGE OUTLINE			
DECIMAL .XX ±0.01 [0.25]	PRQJ ENDR Buonaiuto	02/07/14				
DECIMAL .XXX ±0.005 [0.13]	MFG ENGR		SIZE	CODE IDENT. NO.	REV	
PROJECTION	Q.C.		A	33592	109174	J
SENSITIVE COMPONENT 	CUST		SCALE	PROJECT	SHEET 1	1 OF