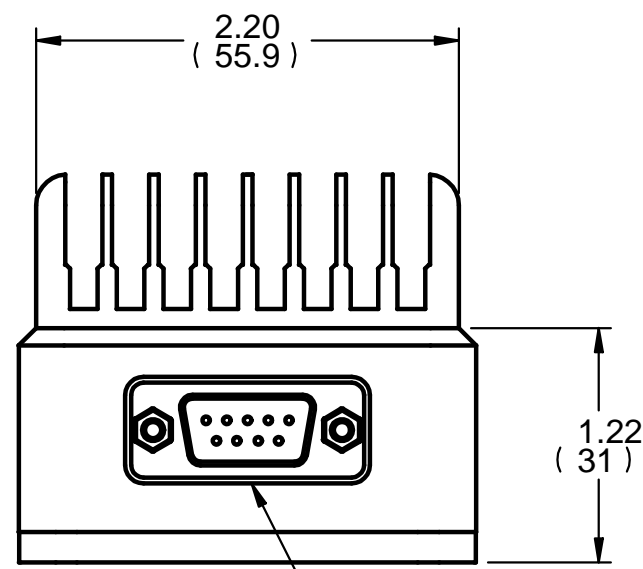
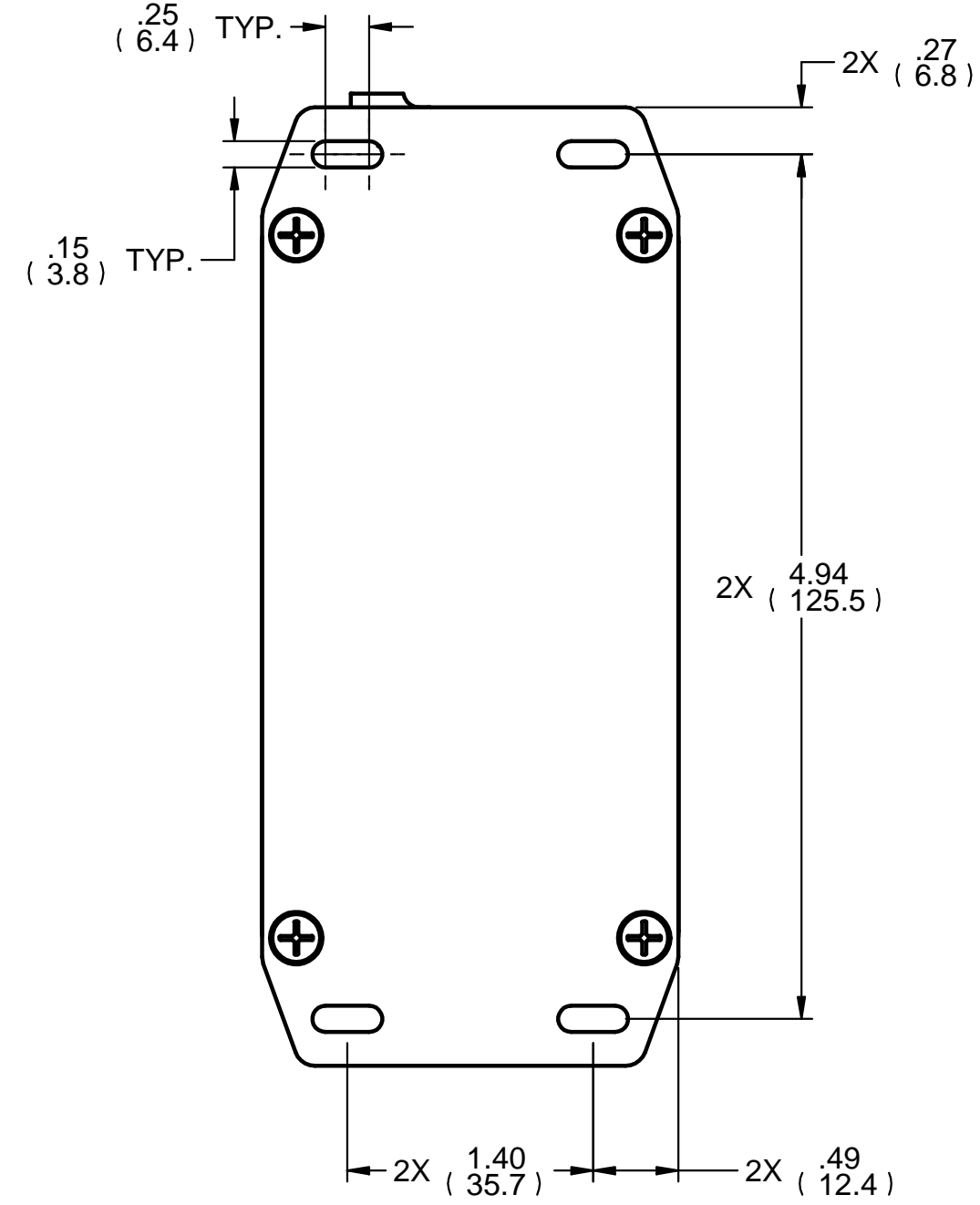
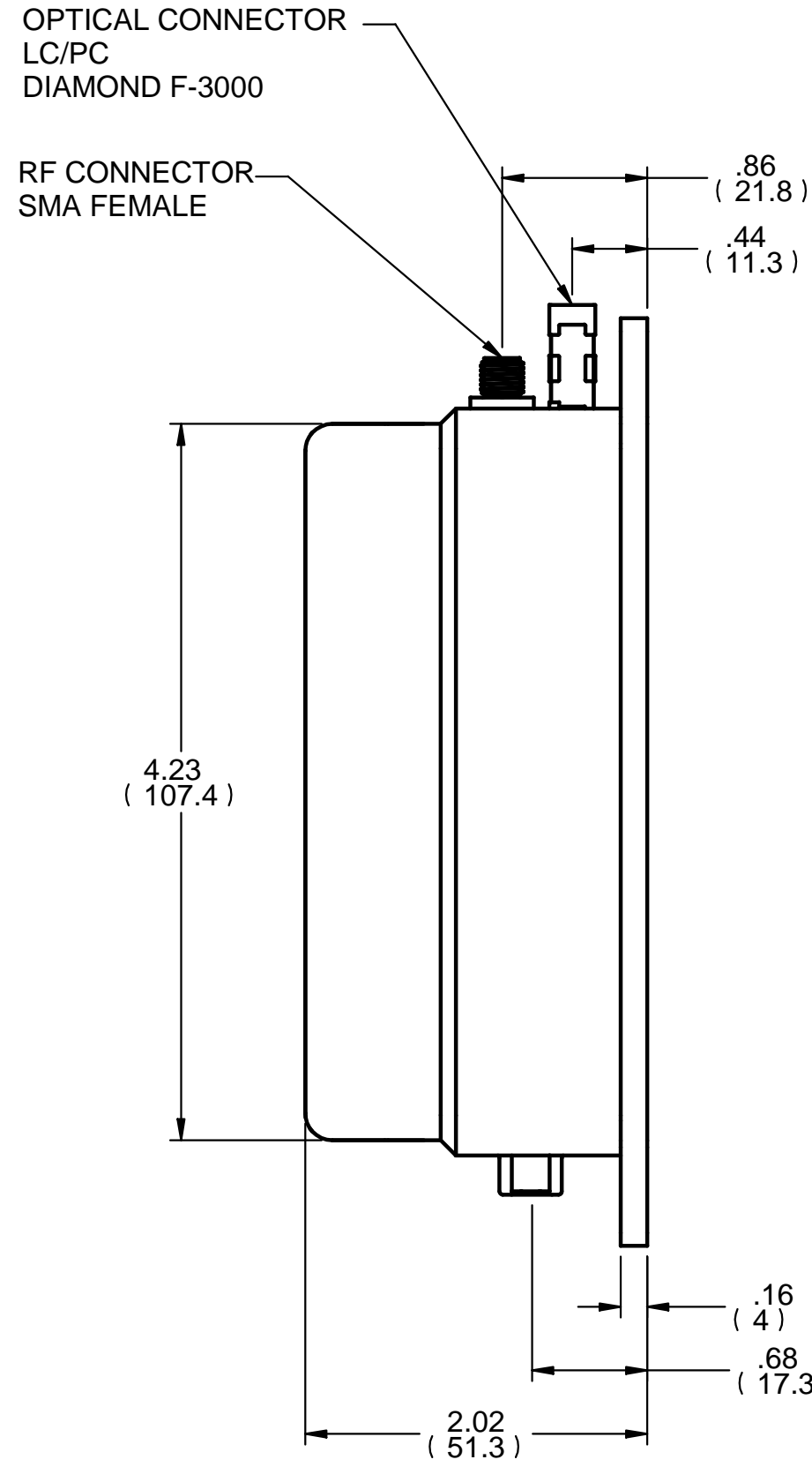
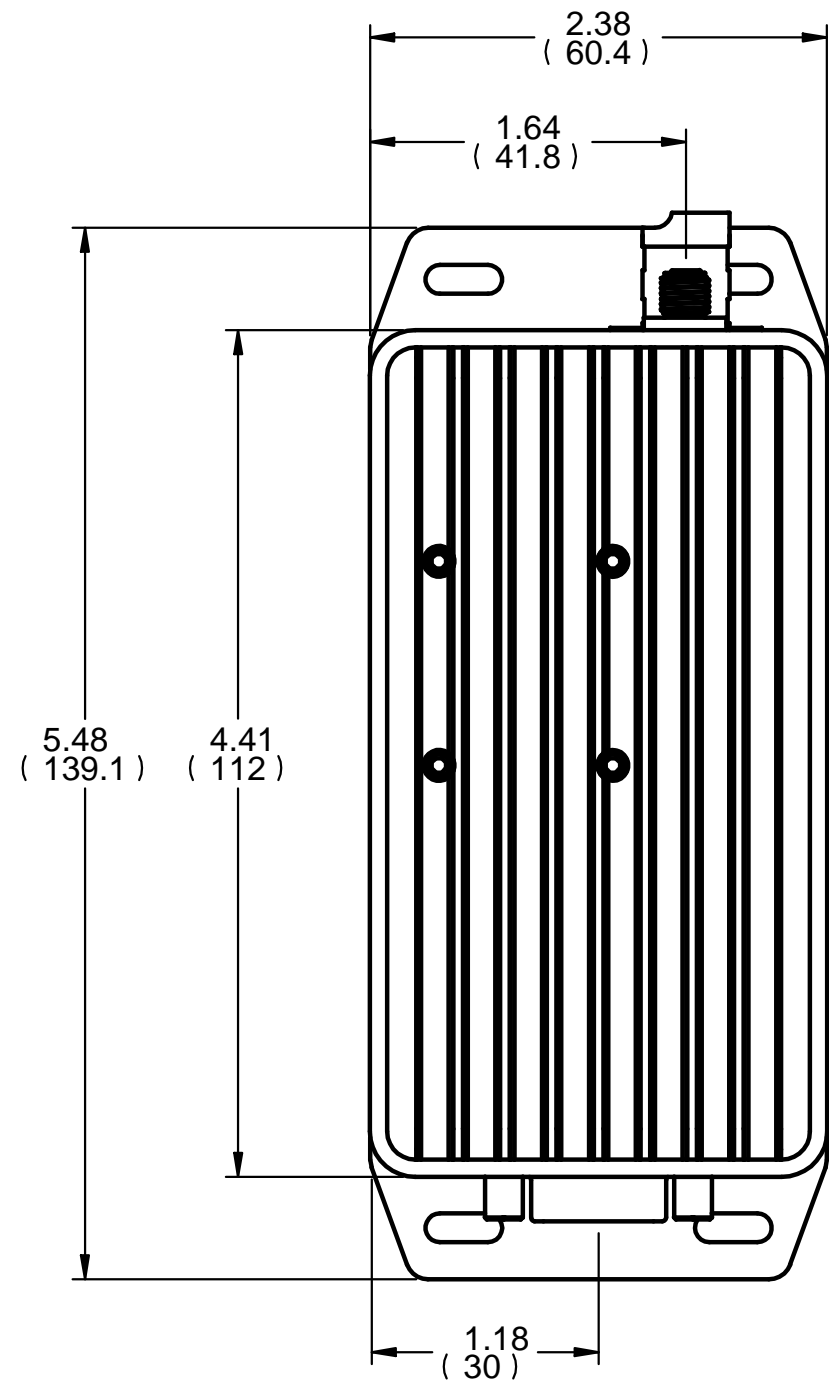
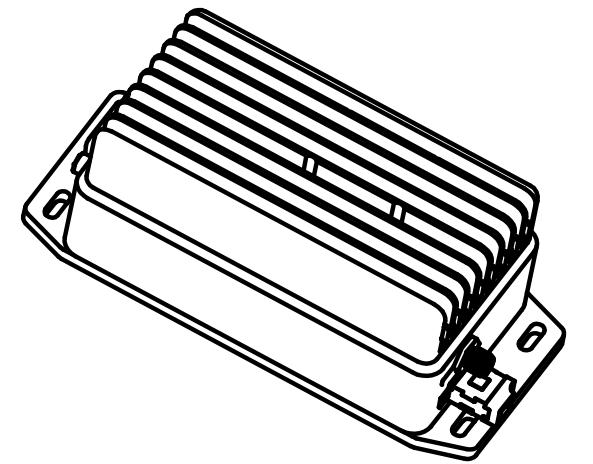


REVISIONS				
ZONE	LTR	DESCRIPTION	DATE	APPROVED



9 PIN D-SUB CONNECTOR
GENDER - MALE
SEE TABLE 1 FOR PIN INFORMATION



PIN	DESCRIPTION
1	NO CONNECTION
2	+9 TO +18 VDC, 10W MAX
3	NO CONNECTION
4	COMMON
5	NO CONNECTION
6	OPTICAL POWER MONITOR NORMAL OPERATION = -2.5 TO -1.5 VDC 0 VOLTS INDICATES NO LASER LIGHT
7	LASER TEMP MONITOR NORMAL OPERATION = -0.5 TO +0.5 VDC <-0.5 INDICATES HIGH LASER TEMP >+0.5 INDICATES LOW LASER TEMP ALLOW 1 MINUTE AFTER POWER ON TO SETTLE
8	NO CONNECTION
9	NO CONNECTION

-5	-4	-3	-2	-1	NOMENCLATURE OR DESCRIPTION	SYM/NOTES	PART NO.	CODE IDENT.	ITEM NO.
					UNLESS OTHERWISE SPECIFIED DIMENSIONS ARE IN INCHES TOLERANCES ON				
					DECIMALS .XX±.01				
					ANGLES ±0°30'				
					MATERIAL				
					FINISH				
					BLACK ANODIZE				
					HEAT TREAT				
					APPROVED BY				
					DRN BY dsundberg	DATE 02/22/06			
					CHKD BY				
					PROJ ENGR				
					ENG SECT				
					Q.A.				
					SIZE C	CODE IDENT. NO. 33592			
							166965		REV. A
					SCALE	REF FILE NAME: a66965a TX Outline 50dft			



ENCLOSURE
FIBER OPTIC COMPONENT