

REVISIONS				
ZONE	LTR	DESCRIPTION	DATE	APPROVED

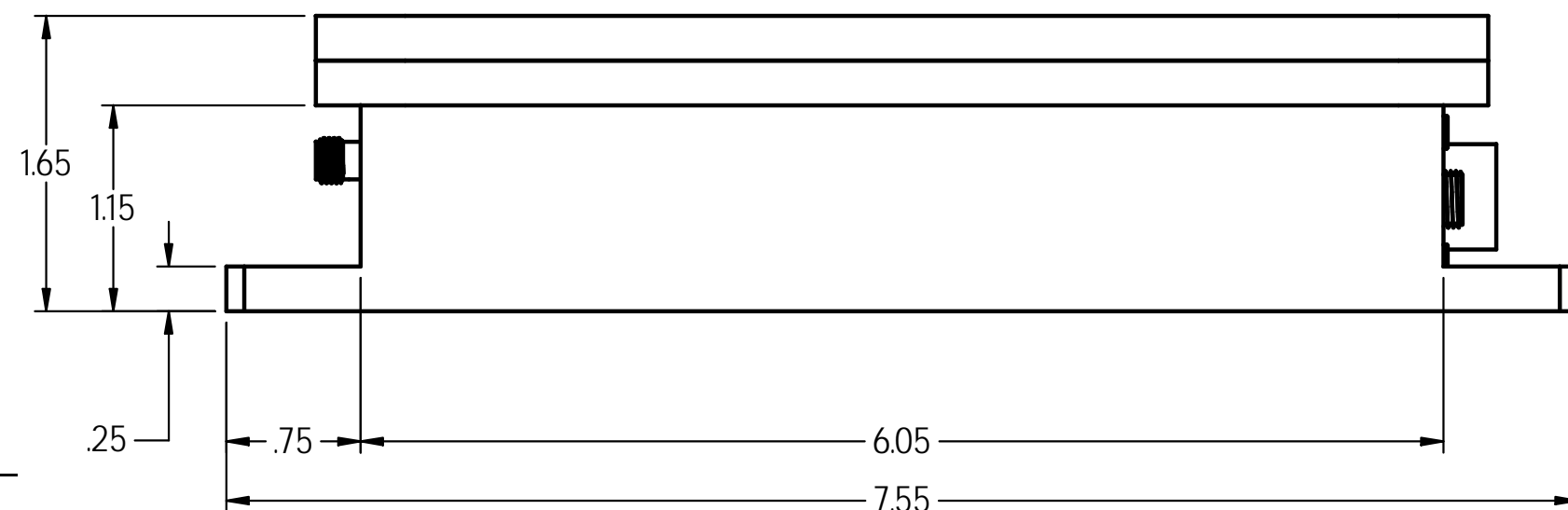
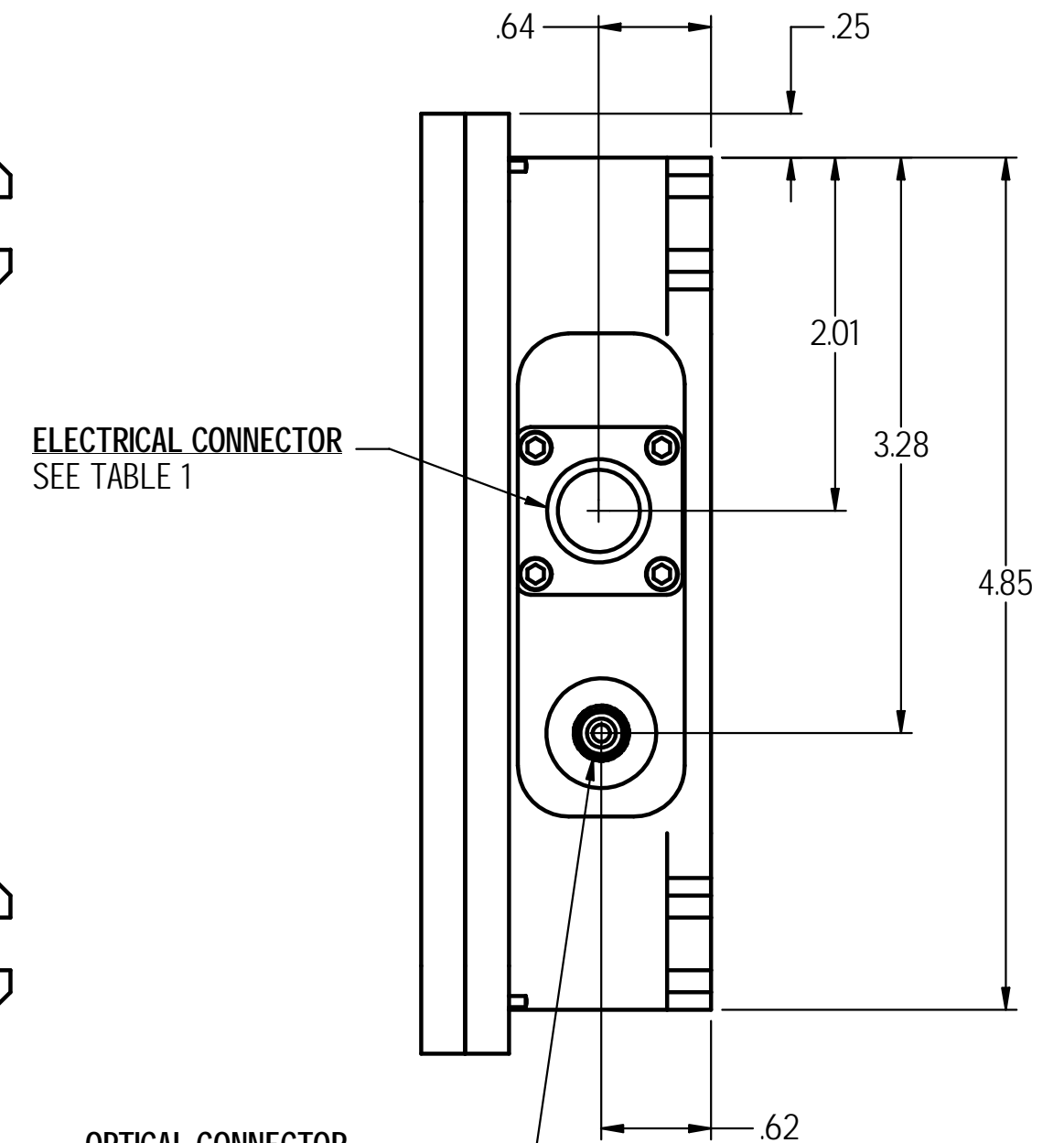
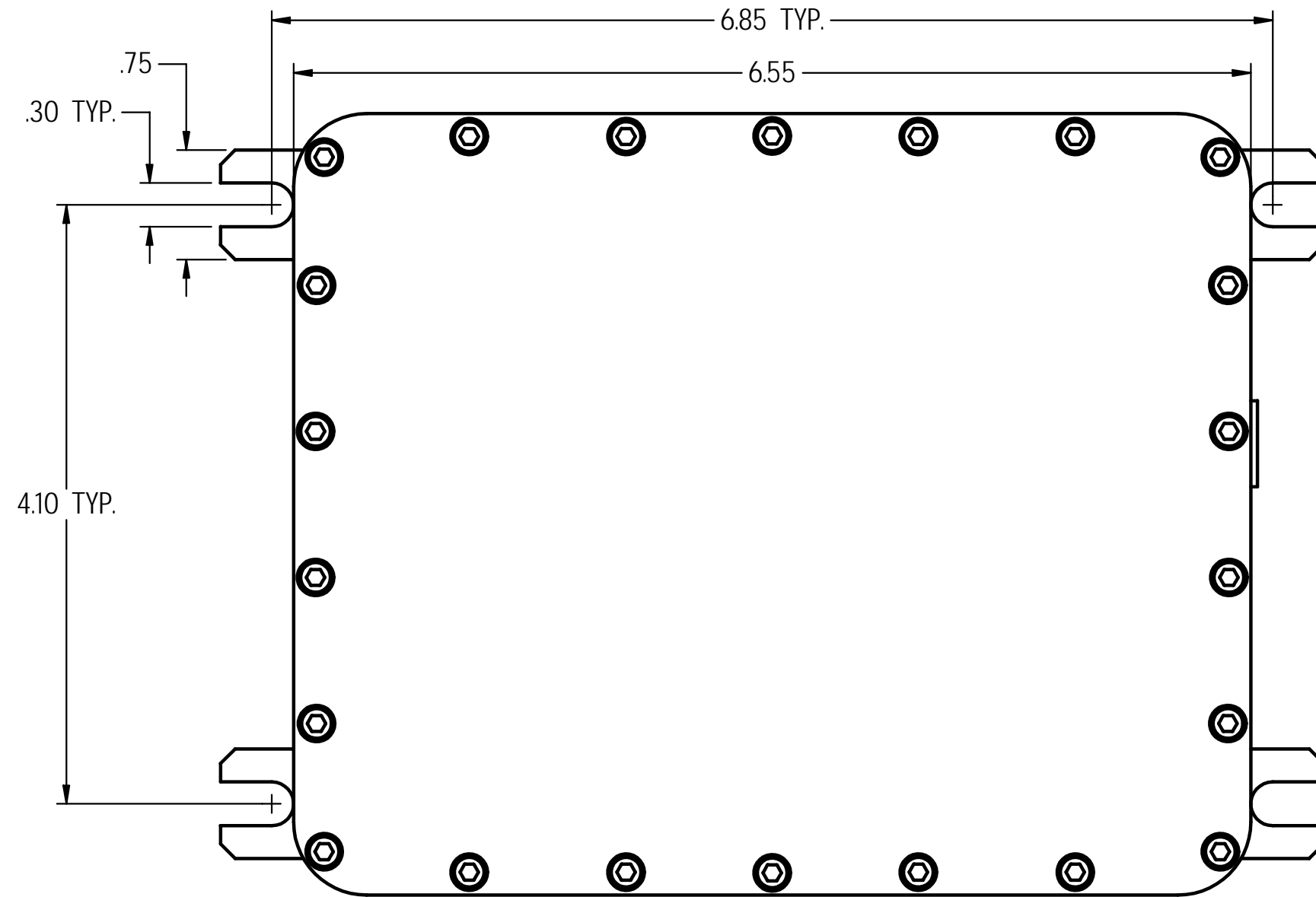
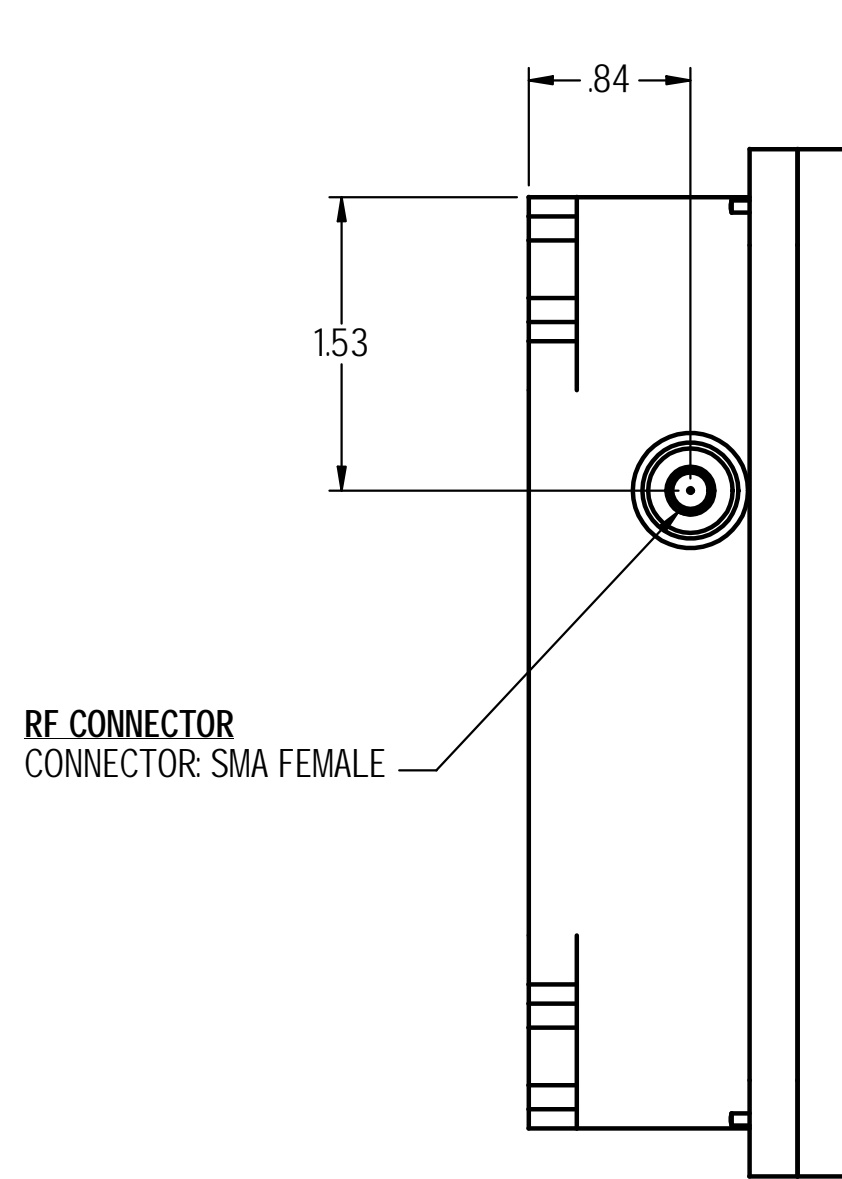


TABLE 1
ELECTRICAL CONNECTION
CONNECTOR TYPE: **MS3112-E10-6P**

TRANSMITTER

PIN	DESCRIPTION
A	+9 TO +18 VDC, 2A MAXIMUM
B	COMMON (CHASSIS)
C	NOT CONNECTED
D	OPTICAL POWER MONITOR NORMAL RANGE -2.5 TO -1.5V 0V INDICATES NO LASER EMISSION
E	LASER TEMPERATURE NORMAL RANGE -0.5V TO +0.5V <-0.5V INDICATES HIGH LASER TEMP
F	NOT CONNECTED

RECEIVER

PIN	DESCRIPTION
A	+9 TO +18 VDC, 1A MAXIMUM
B	COMMON (CHASSIS)
C	NOT CONNECTED
D	NOT CONNECTED
E	NOT CONNECTED
F	OPTICAL CARRIER DETECT 0 VOLTS INDICATED NO OPTICAL CARRIER (VOLTAGE INCREASES APPROXIMATELY 1.3V/mW WITH DETECTED OPTICAL POWER)

-5	-4	-3	-2	-1	NOMENCLATURE OR DESCRIPTION	SYM/NOTES	PART NO.	CODE IDENT.	ITEM NO.		
QTY REQ'D					PARTS LIST						
UNLESS OTHERWISE SPECIFIED DIMENSIONS ARE IN INCHES TOLERANCES ON					DRN BY	NAME	DATE	 100 Davids Drive, Hauppauge, New York 11788 OUTLINE FIBER OPTIC ENCLOSURE WEATHERPROOF			
DECIMALS		.XX±.01		.XXX±.005		ANGLES				±0°30'	
MATERIAL					APPROVED BY						
ALUMINUM ALLOY					PROJ ENGR		ENG SECT				
FINISH					Q.A.			SIZE	CODE IDENT. NO.	REV.	
NEXT ASSY		USED ON		HEAT TREAT			C	33592	154043	A	
APPLICATION					SCALE			REF		SHEET 1 OF 1	