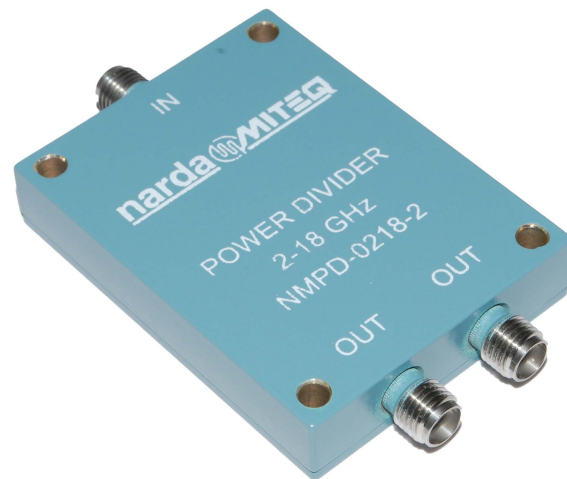


Power Dividers

0.5-18 GHz

General Purpose 2- and 4-Way Power Dividers

- Broadband Frequency Coverage from 0.5 to 18 GHz
- Excellent Phase and Amplitude Tracking



Specifications

SMA (F), 2-Way, 0.5 to 18 GHz

Frequency Range (GHz)	Model	Band Segments (GHz)	VSWR		Insertion Loss (dB max.)	Isolation (dB Min)	Amplitude Balance (dB max.)	Phase Balance (max.)	Input Power (W max.)	Dimensions (Inches)		Outline
			Input	Output						Length	Width	
0.5-18	NMPD-0R518-2	0.5-2.5	1.5	1.45	2	15	0.5	8.0°	30	7.5	1	A
		2.5-18				18						
2-18	NMPD-0218-2	2-18	1.5	1.5	1	20	0.4	6.0°	30	2	1.5	C
1-2	NMPD-0102-2	1-2	1.2	1.2	0.3	25	0.2	2.0°	30	1	1.5	D
2 - 4	NMPD-0204-2	2-4	1.2	1.2	0.4	23	0.2	2.0°	30	1	1.5	D
2 - 8	NMPD-0208-2	2-8	1.2	1.2	0.5	20	0.2	2.0°	30	2	1.5	C
5 - 18	NMPD-0518-2	5-18	1.35	1.35	0.6	18	0.3	5.0°	30	1	1.5	D

Specifications

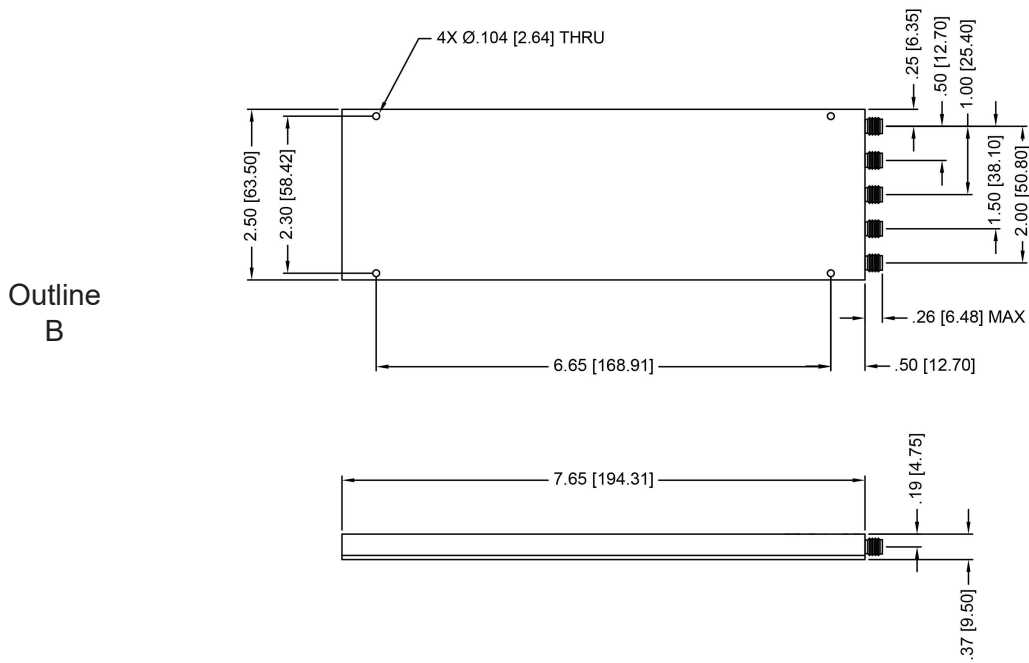
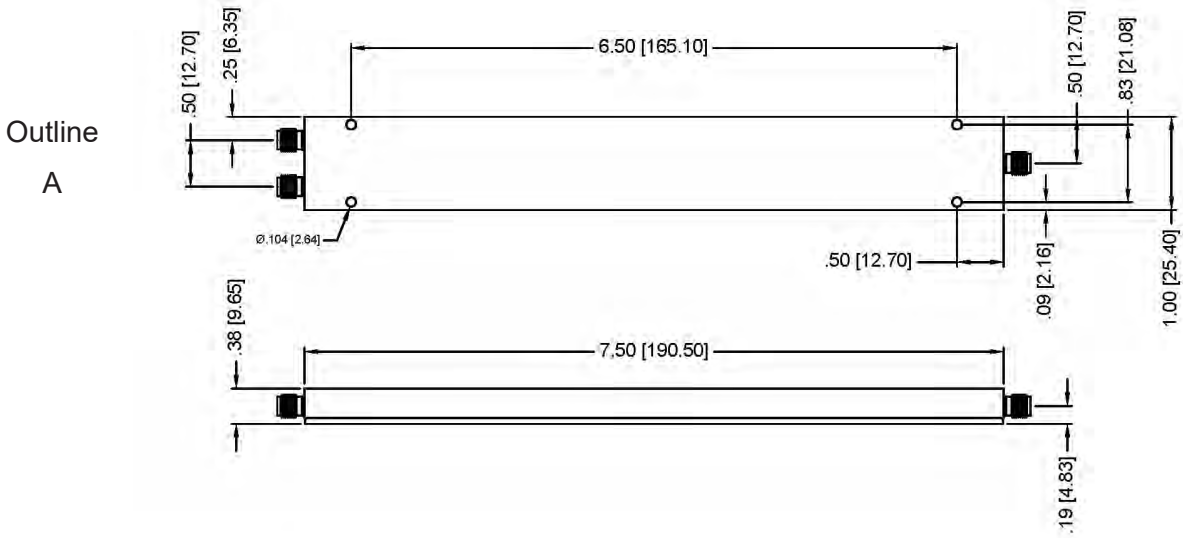
SMA (F), 4-Way, 0.5 to 18 GHz

Frequency Range (GHz)	Model	Band Segments	VSWR		Insertion Loss (dB max.)	Isolation (Min)	Amplitude Balance (dB max.)	Phase Balance (max.)	Input Power (W max.)	Dimensions		Outline
			Input	Output						Length	Width	
0.5-18	NMPD-0R518-4	0.5-0.6	1.7	1.6	3.5	15	1.0	12.0°	30	6.65	2.5	B
		0.6-18	1.6	1.6	3.5	15	1.0	12.0°	30			
5 - 18	NMPD-0518-4	5-18	1.6	1.6	1.25	15	0.3	10.0°	30	1.5	2.5	E

Power Dividers

Power Dividers

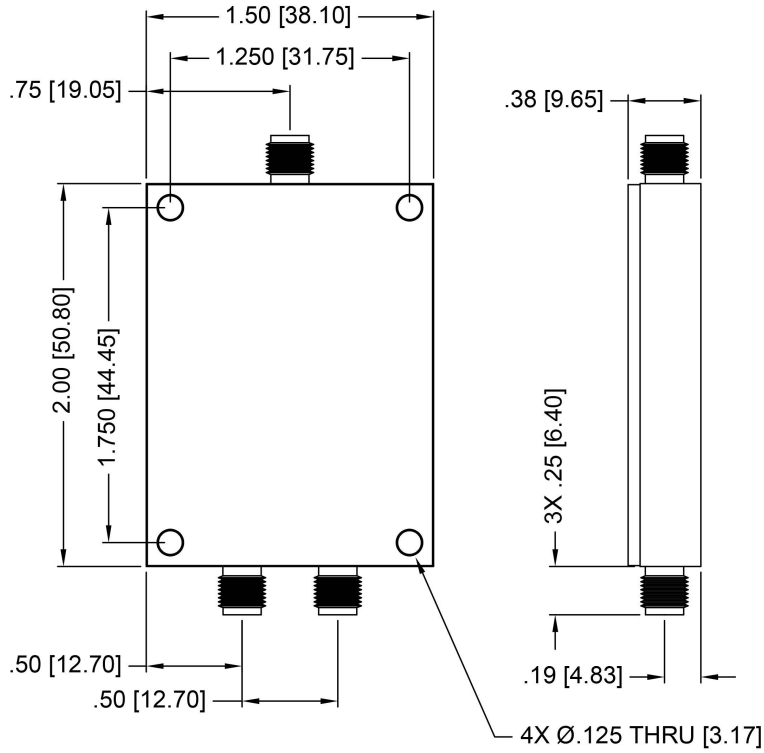
Outline Drawings



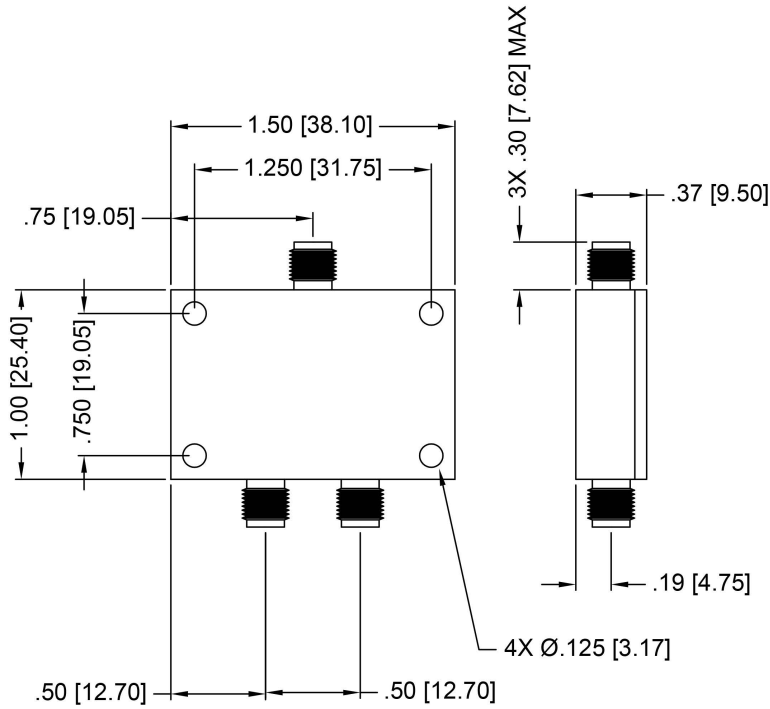
Power Dividers

Outline Drawings

Outline C



Outline D



Outline Drawings

Outline E

