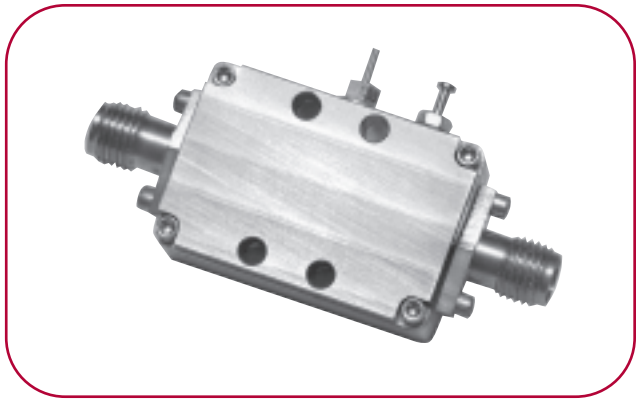


ACTIVE FREQUENCY TRIPLERS

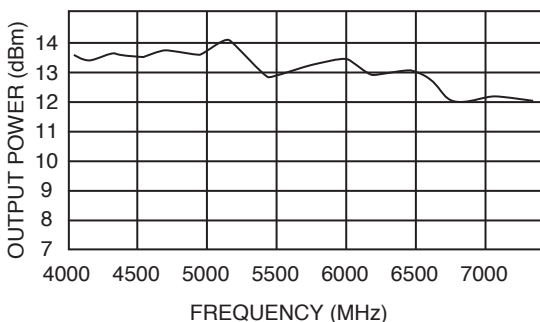
MODEL: SYS3J042072

ELECTRICAL SPECIFICATIONS

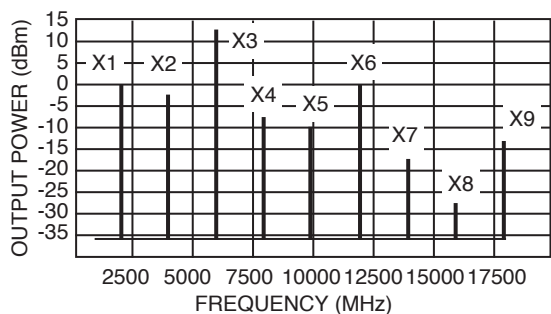
Input frequency range	1.4 – 2.4 GHz
Output frequency range	4.2 – 7.2 GHz
Input power range	4 dBm
Output level	+12 dB typical
Harmonic rejection	
Input	-20 dB typical
Output	-15 dB typical
Input, output VSWR	2.5:1 typical
DC voltage/current	+5/150



OUTPUT POWER VS. FREQUENCY
($P_{IN} = +10$ dBm)

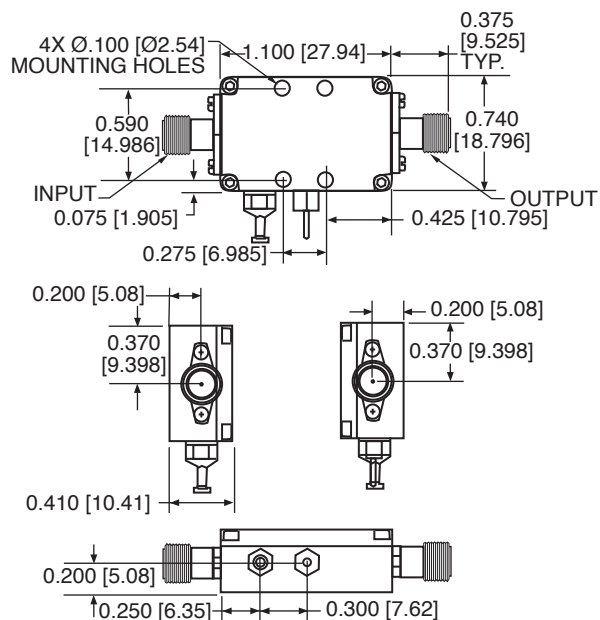


HARMONIC REJECTION



OUTLINE DRAWING

157637



NOTE:

1. All dimensions shown in brackets [] are in millimeters.