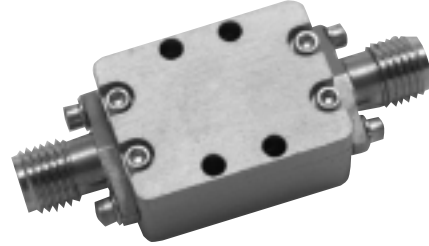


PASSIVE FREQUENCY DOUBLERS (CONT.)

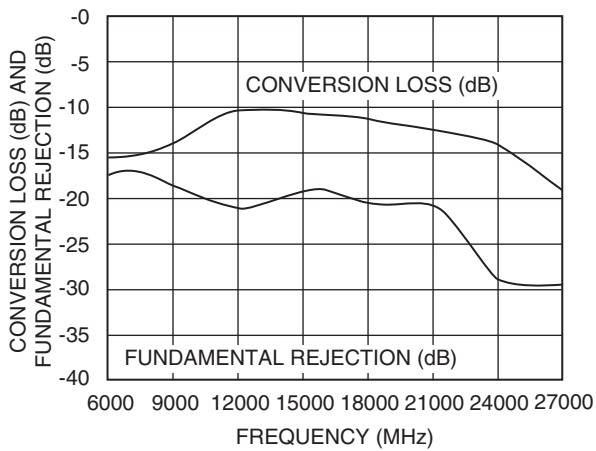
MODEL: SXS2M060260

ELECTRICAL SPECIFICATIONS

Input frequency range	3 – 13 GHz minimum
Output frequency range	6 – 26 GHz minimum
Input power range	8 – 12 dBm nominal
Conversion loss	13 dB typical 17 dB maximum
Optional input power	
SXS2J060260	3–8 dBm
SXS2H060260	12–16 dBm
Harmonic rejection	
Fundamental	-18 dB typical
Odd harmonic	-25 dB typical

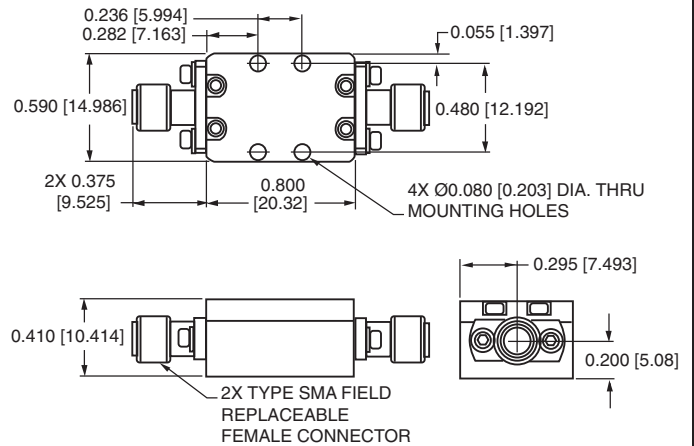


CONVERSION LOSS AND FUNDAMENTAL REJECTION VS. FREQUENCY



OUTLINE DRAWING

160057



NOTE:

1. All dimensions shown in brackets [] are in millimeters.