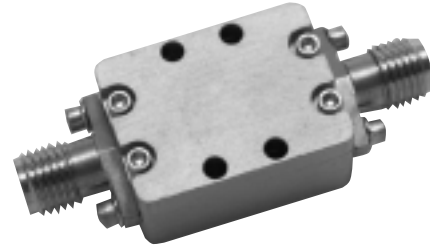


# PASSIVE FREQUENCY DOUBLER (CONT.)

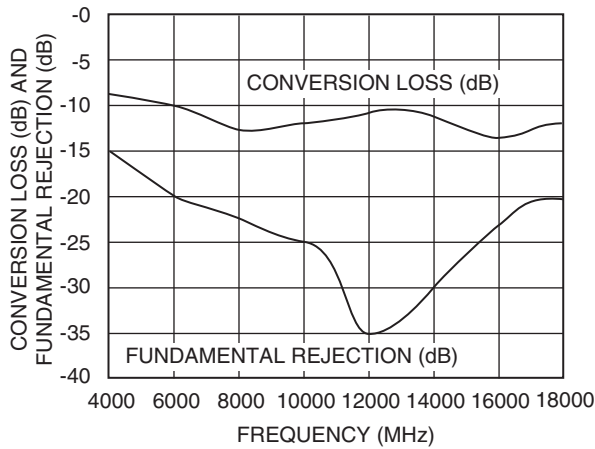
## MODEL: SXS2M040180

### ELECTRICAL SPECIFICATIONS

Input frequency range	2 – 9 GHz minimum
Output frequency range	4 – 18 GHz minimum
Input power range	8 – 12 dBm nominal
Conversion loss	13 dB typical 15 dB maximum
Optional input power	
SXS2J040180	3–8 dBm
SXS2H040180	12–16 dBm
Harmonic rejection	
Fundamental	-20 dB typical
Odd harmonic	-25 dB typical

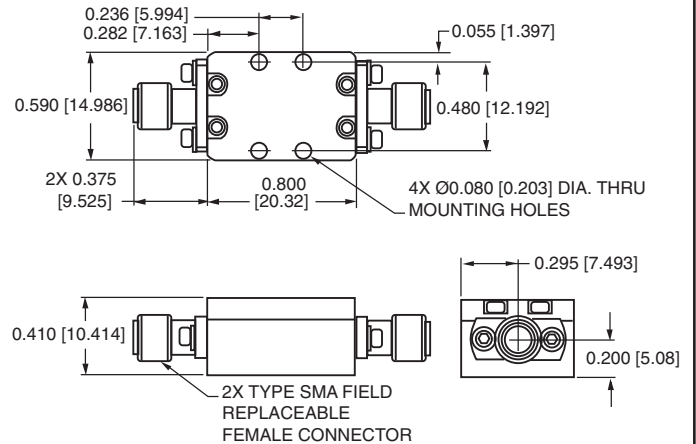


### CONVERSION LOSS AND FUNDAMENTAL REJECTION VS. FREQUENCY



### OUTLINE DRAWING

160057



**NOTE:**

1. All dimensions shown in brackets [ ] are in millimeters.