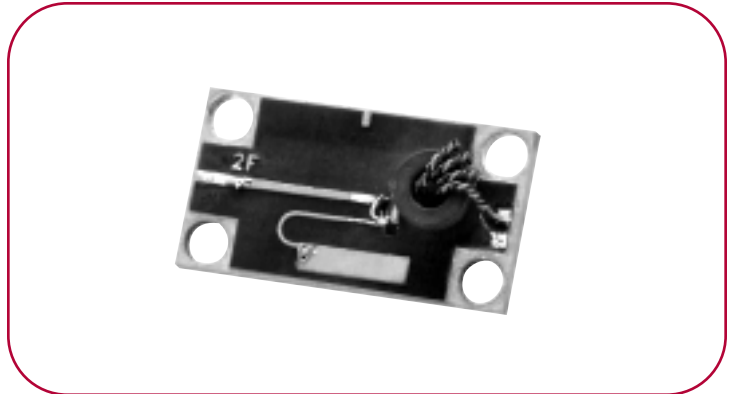


# PASSIVE FREQUENCY DOUBLER (CONT.)

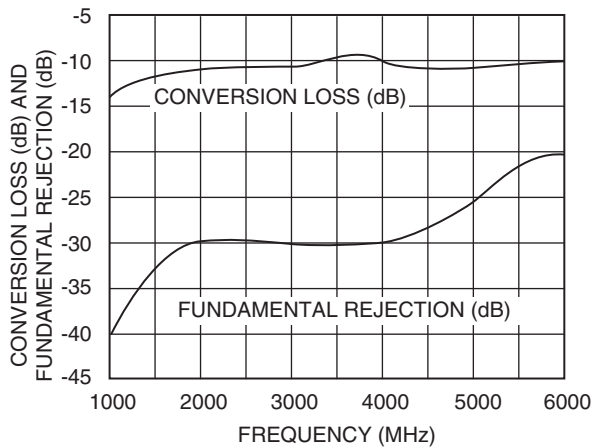
## MODEL: SXS01M

### ELECTRICAL SPECIFICATIONS

Input frequency range	0.5 – 3 GHz minimum
Output frequency range	1 – 6 GHz minimum
Input power range	8 – 12 dBm nominal
Conversion loss	13 dB typical 16 dB maximum
Optional input power	
SXS02J	3–8 dBm
SXS03H	12–16 dBm
Harmonic rejection	
Fundamental	-20 dB typical
Odd harmonic	-25 dB typical

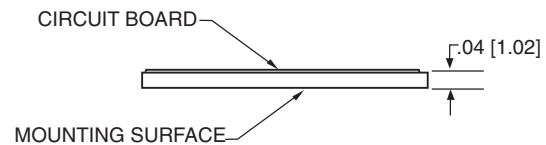
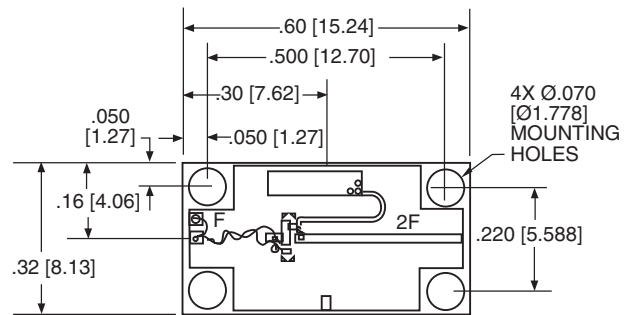


### CONVERSION LOSS AND FUNDAMENTAL REJECTION VS. FREQUENCY



### OUTLINE DRAWING

161565



#### NOTE:

1. All dimensions shown in brackets [ ] are in millimeters.