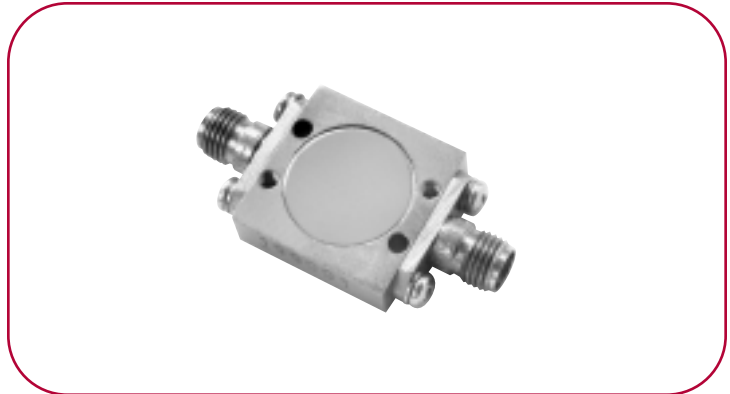


# PASSIVE FREQUENCY DOUBLERS (CONT.)

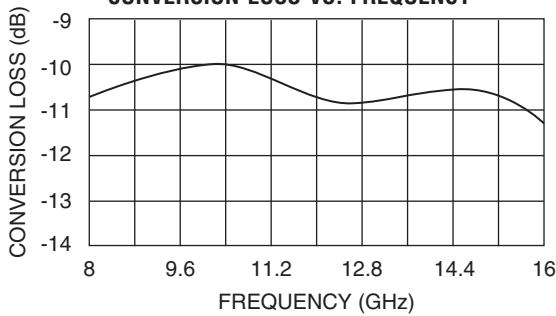
## MODEL: MX2M080160-2C

### ELECTRICAL SPECIFICATIONS

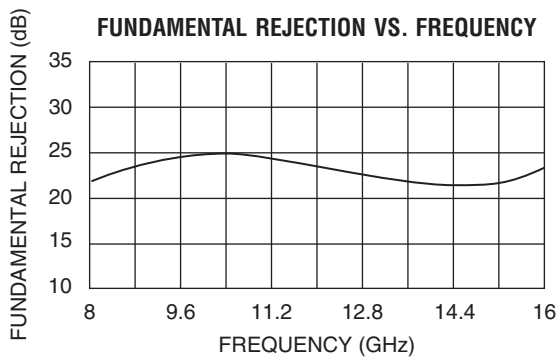
|                        |                                |
|------------------------|--------------------------------|
| Input frequency range  | 4 – 8 GHz minimum              |
| Output frequency range | 8 – 16 GHz minimum             |
| Input power range      | 8 – 12 dBm nominal             |
| Conversion loss        | 11 dB typical<br>13 dB maximum |
| Optional input power   |                                |
| MX2J080160-2C          | 3–8 dBm                        |
| MX2H080160-2C          | 12–16 dBm                      |
| MX2V080160-2C          | 16–20 dBm                      |
| Harmonic rejection     |                                |
| Fundamental            | 20 dB typical                  |
| Odd harmonic           | 20 dB typical                  |



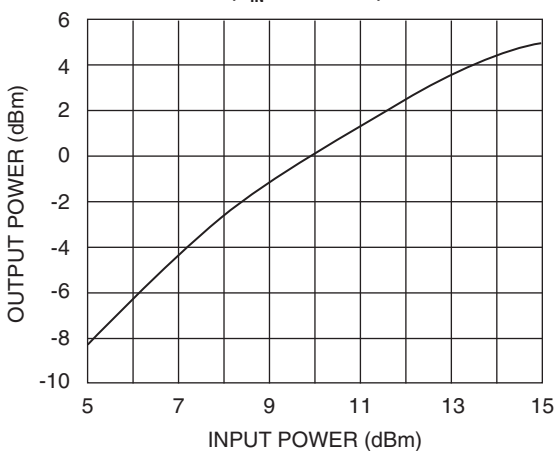
### CONVERSION LOSS VS. FREQUENCY



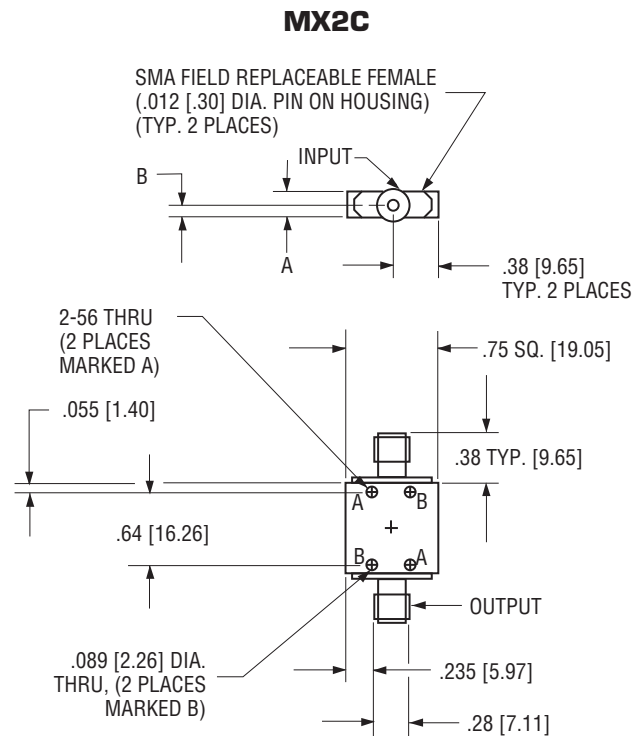
### FUNDAMENTAL REJECTION VS. FREQUENCY



### OUTPUT POWER VS. INPUT POWER ( $P_{IN} = +10$ dBm)



### OUTLINE DRAWING



OUTLINE  
DASH NO.

DIM A

DIM B

-1

.226 [5.74]

.121 [3.07]

NOTE:

1. All dimensions shown in brackets [ ] are in millimeters.