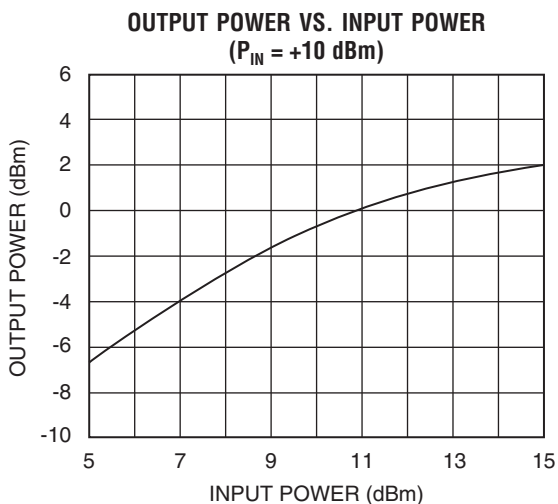
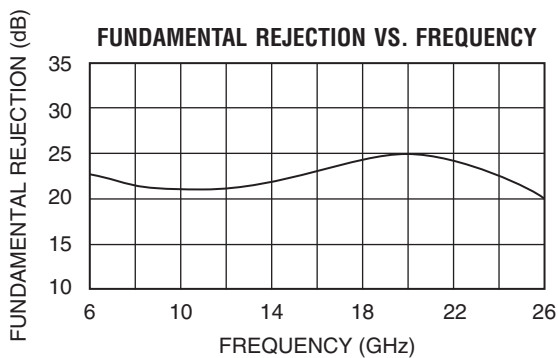
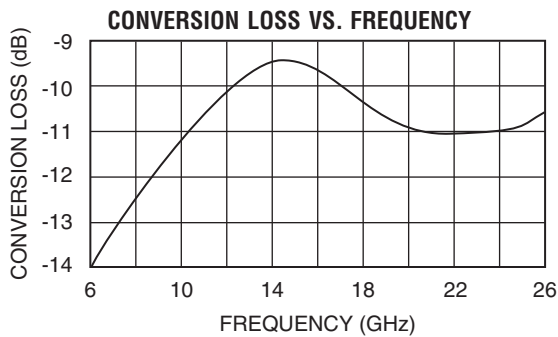
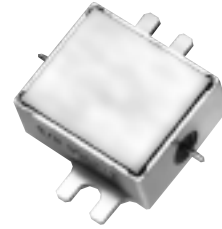


PASSIVE FREQUENCY DOUBLERS (CONT.)

MODEL: MX2M060260

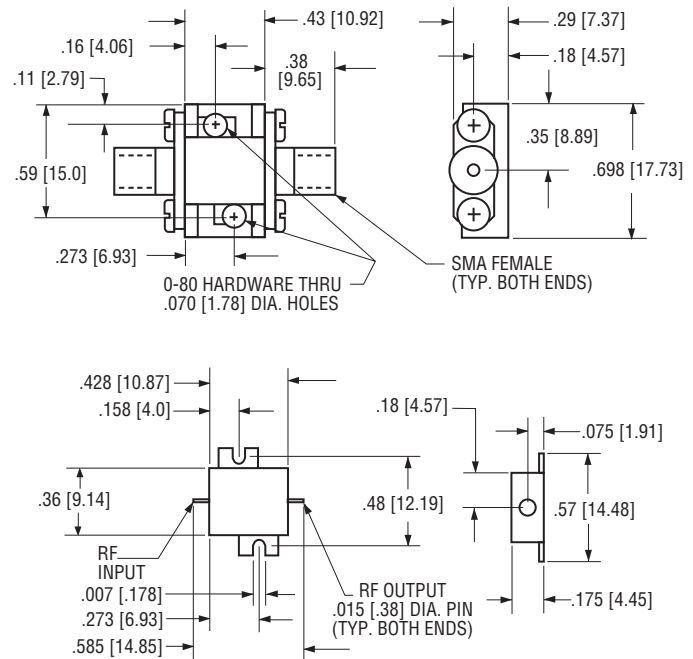
ELECTRICAL SPECIFICATIONS

Input frequency range	3 – 13 GHz minimum
Output frequency range	6 – 26 GHz minimum
Input power range	8 – 12 dBm nominal
Conversion loss	12 dB typical 18 dB maximum
Optional input power	
MX2J060260	3–8 dBm
MX2H060260	12–16 dBm
MX2V060260	16–20 dBm
Harmonic rejection	
Fundamental	15 dB typical
Odd harmonic	20 dB typical



OUTLINE DRAWING

MX2D



NOTES:

1. Doubler may be readily used as is, or as a drop-in by removing the SMA connectors and mounting hardware as shown.
2. All dimensions shown in brackets [] are in millimeters.