

PASSIVE FREQUENCY DOUBLERS (CONT.)

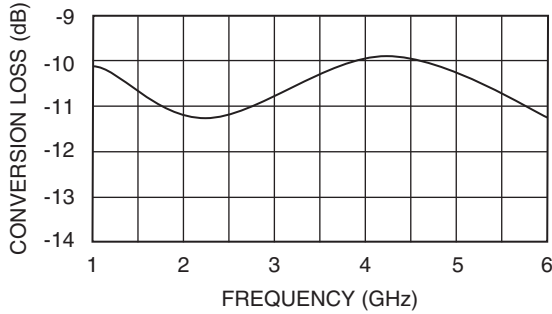
MODEL: MX2M010060

ELECTRICAL SPECIFICATIONS

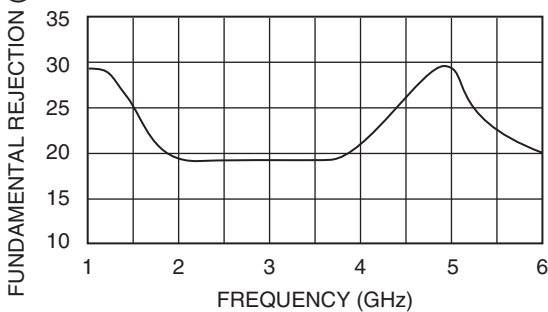
Input frequency range	0.5 – 3 GHz minimum
Output frequency range	1 – 6 GHz minimum
Input power range	8 – 12 dBm nominal
Conversion loss	10.5 dB typical 15 dB maximum
Optional input power	
MX2J010060	3–8 dBm
MX2H010060	12–16 dBm
MX2V010060	16–20 dBm
Harmonic rejection	
Fundamental	15 dB typical
Odd harmonic	20 dB typical



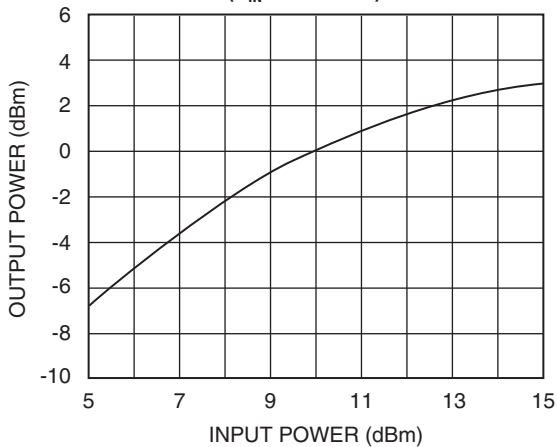
CONVERSION LOSS VS. FREQUENCY



FUNDAMENTAL REJECTION VS. FREQUENCY

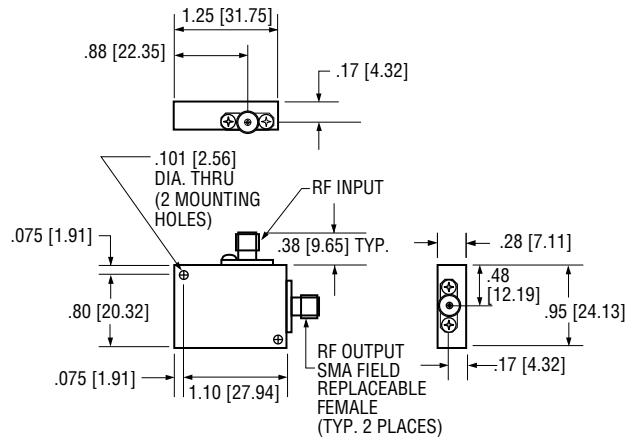


OUTPUT POWER VS. INPUT POWER ($P_{IN} = +10$ dBm)



OUTLINE DRAWING

MX2A



NOTE:

1. All dimensions shown in brackets [] are in millimeters.