

# 20 TO 40 GHz EVEN HARMONIC MIXER

## MODEL: ME2640W1

### FEATURES

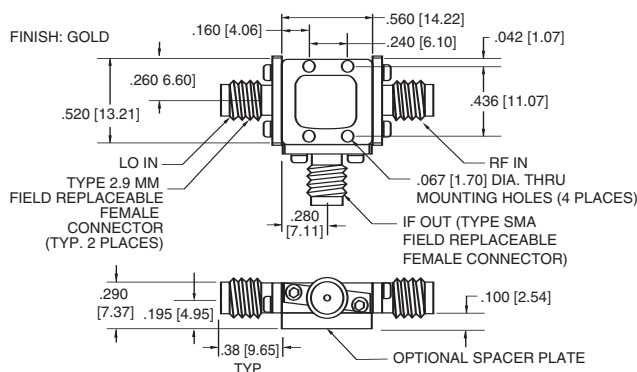
- RF coverage ..... 26 to 40 GHz
- LO coverage ..... 13 to 20 GHz
- IF operation ..... 2 to 4 GHz
- LO power range ..... +10 to +14 dBm
- Packaging ..... Hermetically sealed



### ELECTRICAL SPECIFICATIONS

INPUT PARAMETERS	CONDITION	UNITS	MIN.	TYP.	MAX.
RF frequency range		GHz	26		40
RF VSWR	LO = +12 dBm	Ratio		3.75:1	
LO frequency range		GHz	13		20
LO power range		dBm	+10		+14
LO VSWR	LO = +12 dBm	Ratio		3:1	
TRANSFER CHARACTERISTICS	CONDITION	UNITS	MIN.	TYP.	MAX.
Conversion loss (IF = 3 GHz)	LO = +12 dBm	dB		12	15
2LO-to-RF isolation	LO = +12 dBm	dB	35	40	
LO-to-RF isolation	LO = +12 dBm	dB	25	30	
RF-to-IF isolation		dB		30	
LO-to-IF isolation		dB		40	
Input power at 1 dB compression point	LO = +12 dBm	dBm		+5	
Input two-tone third-order intercept point	LO = +12 dBm	dBm		+15	
OUTPUT PARAMETERS	CONDITION	UNITS	MIN.	TYP.	MAX.
IF frequency range		GHz	2		4
IF VSWR	LO = +12 dBm	Ratio		3:1	

### OUTLINE DRAWING



NOTE: All dimensions shown in brackets [ ] are in millimeters.

### MAXIMUM RATINGS

Specification temperature ..... +25°C  
 Operating temperature ..... -54 to +85°C  
 Storage temperature ..... -65 to +125°C

NOTE: Test data supplied at 25°C;  
 conversion loss and 2LO-to-RF isolation.

