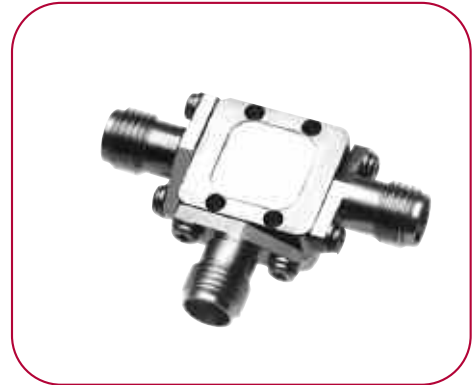


4 TO 8 GHz DOUBLE-BALANCED MIXER

MODEL: M0408W1

FEATURES

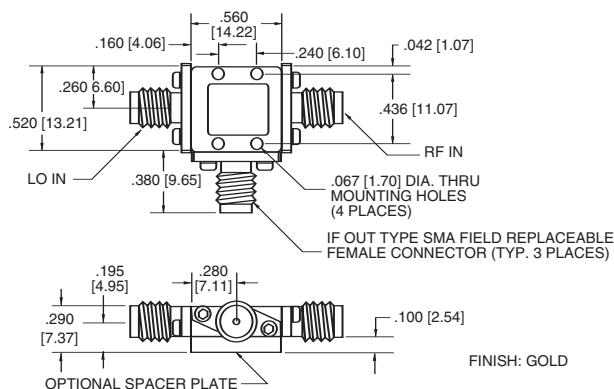
- RF/LO coverage 4 to 8 GHz
- IF operation DC to 3 GHz
- LO power range +13 to +17 dBm
- Packaging Hermetically sealed



ELECTRICAL SPECIFICATIONS

INPUT PARAMETERS	CONDITION	UNITS	MIN.	TYP.	MAX.
RF frequency range		GHz	4		8
RF VSWR	LO = +15 dBm	Ratio		3:1	
LO frequency range		GHz	4		8
LO power range		dBm	+13		+17
LO VSWR	LO = +15 dBm	Ratio		3.25:1	
TRANSFER CHARACTERISTICS	CONDITION	UNITS	MIN.	TYP.	MAX.
Conversion loss (IF = 100 MHz)	LO = +15 dBm	dB		8	9.5
Single-sideband noise figure at 25°C	LO = +15 dBm	dB		8.5	
LO-to-RF isolation	LO = +15 dBm	dB	28	35	
LO-to-IF isolation		dB		35	
RF-to-IF isolation		dB		12	
Input power at 1 dB compression	LO = +15 dBm	dBm		+5	
Input two-tone third-order intercept point	LO = +15 dBm	dBm		+15	
OUTPUT PARAMETERS	CONDITION	UNITS	MIN.	TYP.	MAX.
IF frequency range	3 dB bandwidth	GHz	DC		3
IF VSWR		Ratio		2.75:1	

OUTLINE DRAWING



NOTE: All dimensions shown in brackets [] are in millimeters.

MAXIMUM RATINGS

Specification temperature +25°C
 Operating temperature -54 to +85°C
 Storage temperature -65 to +125°C

NOTE: Test data supplied at 25°C;
 conversion loss and LO-to-RF isolation.

