



AMPLIFIER POWER SUPPLY UNIT

MODEL APS4-96-1



FEATURES

- Local and remote monitoring of amplifier current
- Individual amplifier alarm outputs
- MITEQ proprietary "Delta" alarm
- Convenient 1 RU package
- Fully redundant power supplies
- Individual output connectors
- Nonvolatile memory

The APS4-96-1 amplifier power supply unit is designed to power and monitor up to four single thread (non-redundant) remotely mounted amplifiers. Each one of the four outputs can be set to either +12, +15 or +20 volts allowing the use of virtually any amplifier. Local control is from a front panel keyboard and remote monitoring is via RS485.

MITEQ's proprietary "Delta" alarm allows monitoring of single amplification stage failures even in temperature compensated amplifiers.

SPECIFICATIONS

ELECTRICAL

DC output power 1.5 amps maximum per amplifier,
5.0 amps maximum combined

PRIMARY POWER REQUIREMENTS

Voltage 90–250 VAC
Frequency 47–63 Hz
Power consumption..... 50 W typical

SUMMARY ALARM

Contact closure/open for DC voltage and/or DC current alarm
Status alarm readout on remote control bus

AMPLIFIER ALARM

Contact closure/open for DC current alarm
Status alarm readout on remote control bus

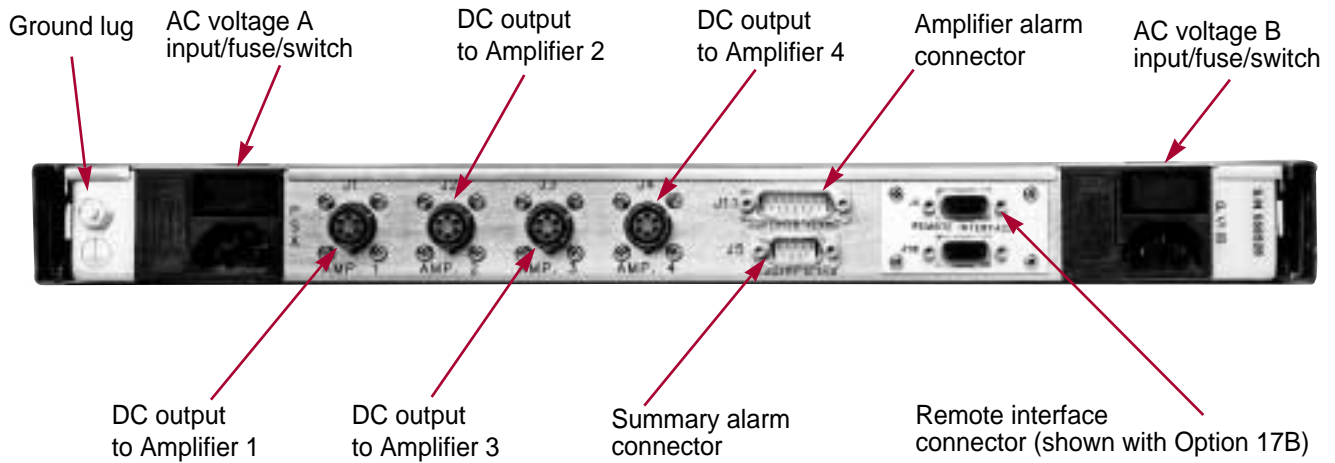
PHYSICAL

Weight 20 pounds nominal
Overall dimensions..... 19" x 1.75" panel x 22" maximum (chassis depth 20")
Rear panel connectors
DC output MS3112A10-6S,
(supplied with mating connector MS3116E/F10-6P)
Summary alarm DEM-9P
Amplifier alarm..... DA-15P
Remote interface DEM-9S for RS485 and RS422,
DB-25P for RS232,
IEEE-488 receptacle for GPIB

ENVIRONMENTAL

Operating
Ambient temperature 0 to 50°C
Relative humidity Up to 95% at 30°C
Atmospheric pressure Up to 10,000 feet
Nonoperating
Temperature -50 to +70°C
Relative humidity Up to 95% at 40°C
Atmospheric pressure Up to 40,000 feet
Shock and vibration..... Normal handling by commercial carriers

REAR PANEL



OPTIONS

- 6.** Unit to amplifier cable length.
- A.** 5 feet.
 - B.** 25 feet.
 - C.** 50 feet.
 - D.** 100 feet.
 - E.** 150 feet.
 - F.** 200 feet.
 - G.** 300 feet.
 - H.** 400 feet.
- 17.** Remote control.
- A.** RS422.
 - B.** RS485 (supplied as standard).
 - C.** RS232.
 - F.** IEEE-488.

Notes: Missing option numbers are not applicable for this product.

For literature describing local control and remote control (bus protocols), refer to MITEQ's Technical Note 25T036.



100 Davids Drive, Hauppauge, NY 11788
TEL.: (631) 436-7400 • FAX: (631) 436-7431/436-7430
www.miteq.com