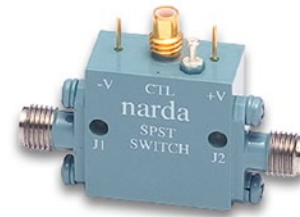


## Solid State PIN Control Products

0.1-40 GHz

### SPST / SP2T PIN Switches

- Reflective
- Hermetically Sealed
- Full MIL Specifications



### Specifications

Reflective Switches, K (F), 0.1 to 40 GHz

MODEL	TYPE	SWITCHING TIME MODULATION (ns max)	BAND SEGMENTS (GHz)	INSERTION LOSS (dB max.)	VSWR (max.)	ISOLATION (dB min.)	POWER HANDLING (mW)	POWER SUPPLY REQUIREMENTS	
								mA @+5 V ±2%	mA @-15 V
S125	SPST	500	0.1-4	2.3	2.0	60	200	60	50
			4-18	2.9	2.0	50			
			18-26.5	3.5	2.5	35			
			26.5-40	5.0	2.5	30			
S126	SP2T	500	0.1-4	2.6	2.0	60	200	75	50
			4-18	3.2	2.0	50			
			18-26.5	3.8	2.5	35			
			26.5-40	5.3	2.5	30			

### Control Characteristics

#### CONTROL INPUT IMPEDANCE

TTL advanced Schottky, one unit load. (A unit load is 0.6 mA sink current and 20  $\mu$ A source current.)

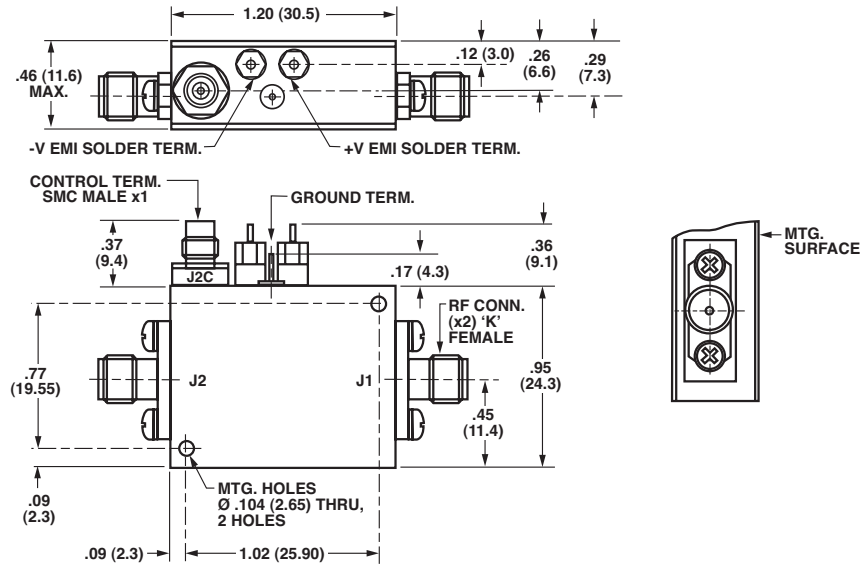
#### CONTROL LOGIC

Logic 0 (-0.3 to 0.8 V) for switch "ON"

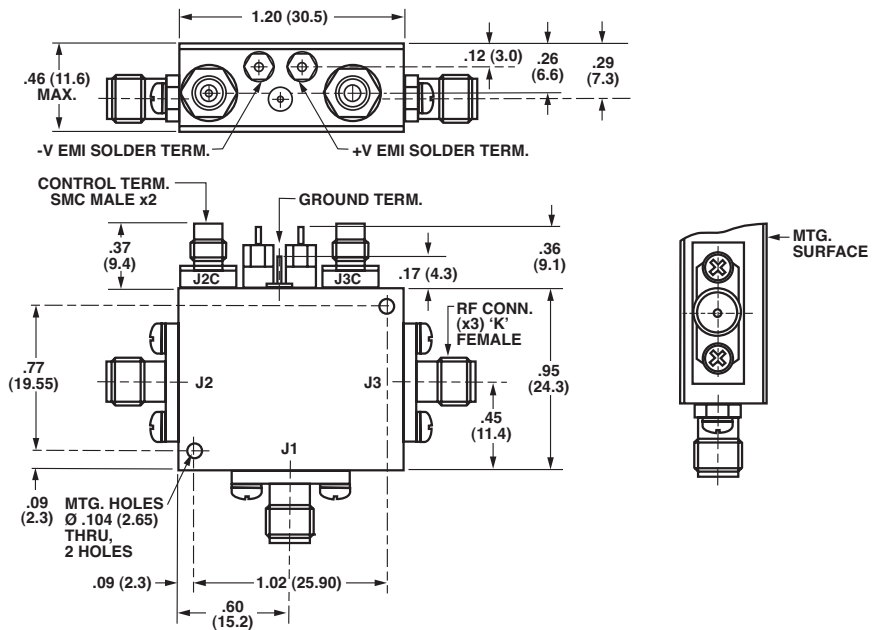
Logic 1 (2 to 5 V) for switch "OFF"

# Solid State PIN Control Products

## Outline Drawings



S125



S126

Dimensions in inches (mm in parentheses), unless otherwise specified.