

6-18 GHz

**High Power (up to 100 W CW)  
In-Phase Power Divider**

- Up to 100 W CW Capability into Mismatch
- Up to 100 W CW Capability at Elevated Ambient Temperatures of 85°C
- Flight Qualified, MIL Environment Qualified Versions Available

**Specifications****SMA (F), 2-Way, 6 to 18 GHz**

FREQUENCY RANGE (GHz)	MODEL	INSERTION LOSS (dB max.)		ISOLATION (dB min.)	VSWR (max.)		AMPLITUDE BALANCE (dB)	PHASE BALANCE	AVERAGE POWER* (W)		WEIGHT	
		6-14	14-18		INPUT	OUTPUT			A	B	oz.	gr.
6-18	4306-2	0.8	1.0	17	1.75	1.65	0.4	10°	100	75	1.5	43

\* Average Power Rating into a load VSWR of (A) 1.25 to 1 and (B) 2 to 1  
Power Rating is based upon maximum case temperature of the power divider not exceeding 85°C

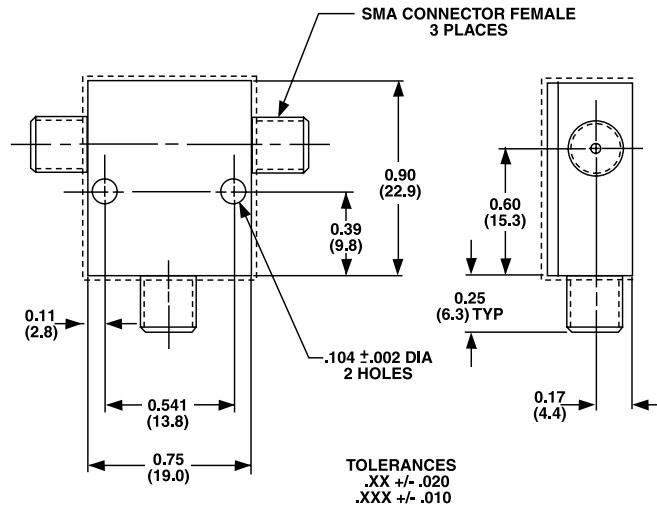
**Type N (F), 2-Way, 6 to 18 GHz**

FREQUENCY RANGE (GHz)	MODEL	INSERTION LOSS (dB max.)		ISOLATION (dB min.)	VSWR (max.)		AMPLITUDE BALANCE (dB)	PHASE BALANCE	AVERAGE POWER* (W)		WEIGHT	
		6-10	10-18		INPUT	OUTPUT			A	B	oz.	gr.
6-18	3306-2	1.2	1.5	15	1.80	1.70	0.5	12°	100		13.0	369

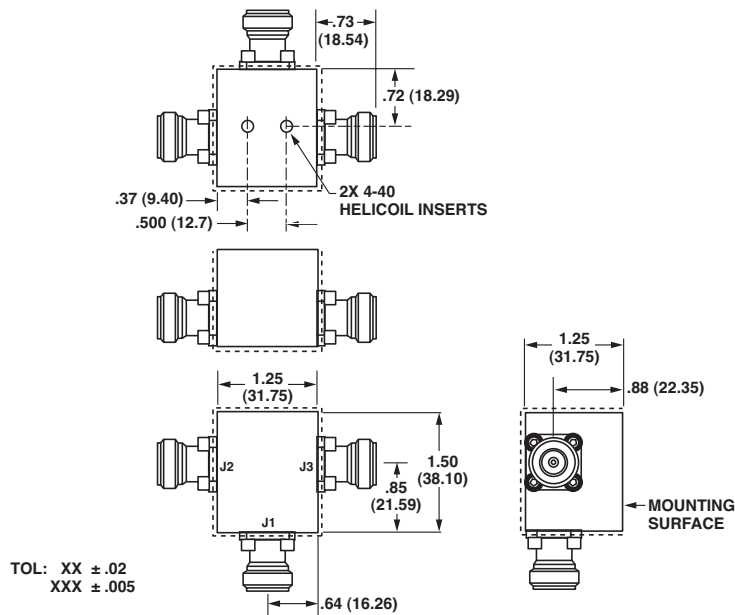
\* Max. input power handling requires the outputs to be loaded by no greater than 1.5 VSWR, and the case temperature of the power divider must not exceed 85°C

# Power Dividers

## Outline Drawings



MODEL 4306-2



MODEL 3306-2

Allow .020 for sealant build-up per surface.  
Dimensions in inches (mm in parentheses), unless otherwise specified.