

0.05-18 GHz

## Type N Dual Coaxial Reflectometer Couplers



- Exceptionally High Directivity for Reflectometry Measurements
- Broadband Frequency Coverage
- Bilateral Male and Female Output Ports
- Low VSWR
- High Power

### Specifications

Type N (M/F), 0.05 to 8 GHz, 500 W

FREQUENCY RANGE (GHz)	MODEL	NOMINAL COUPLING (dB)	DIRECTIVITY (dB min.)	VSWR		EQUIVALENT RESIDUAL VSWR (max.)	ABSOLUTE CALIBRATION ACCURACY (per 10 dB)	TRUE INSERTION LOSS (dB max.)	TRACKING (dB)	MAXIMUM DEVIATION FROM NOMINAL (dB)	POWER AVERAGE			WEIGHT (max.)	
				PRIMARY LINE	SECONDARY LINE						INCIDENT (W)	REFLECTED (W)	PEAK (kW)	lb.	kg.
0.05-1	3020A	20*	35	1.05	1.10	104	±0.1	0.2	0.3	±1.0 from 250-1000 MHz	500	500	10	2.4	1.1
1-4	3022	20	1-3 GHz: 30 3-4 GHz: 27	1.15	1.15	1.09	±0.1	0.3	0.3	±1.0	500	500	10	1.9	0.9
4-8	3024	20	25	1.15	1.20	1.12	±0.1	0.6	0.3	±1.0	500	500	10	1.5	0.7

\* Coupling from 250 MHz to 50 MHz increases from 20 dB to 33 dB

CONNECTORS: Primary Connectors 1 female, 1 male, Type N; Secondary Connectors 2 female, Type N

NOTES:

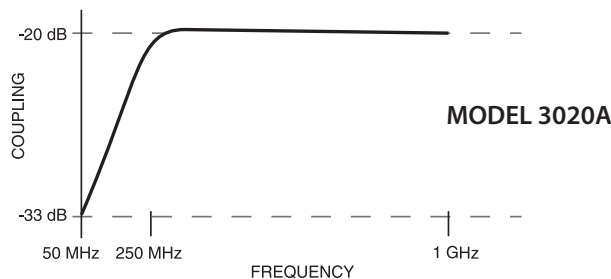
Model 3020A is usable down to 10 MHz; coupling will typically be 42-46 dB at this frequency.  
Accessories supplied with all units above: 1 male short, 1 female short

Type N (M/F), 2 to 18 GHz, 200 W

FREQUENCY RANGE (GHz)	MODEL	NOMINAL COUPLING (dB)	DIRECTIVITY (dB min.)	INSERTION LOSS (dB)	VSWR		FREQUENCY SENSITIVITY (dB max.)	MAXIMUM DEVIATION FROM NOMINAL (dB)	POWER		WEIGHT (max.)	
					PRIMARY LINE	SECONDARY LINE			AVERAGE (W)	PEAK (kW)	oz.	gr.
2-18	3060	30	2- 8 GHz: 20 8-18 GHz: 15	0.5	1.40	1.60	±1.5	±1.4	200	3	15	425

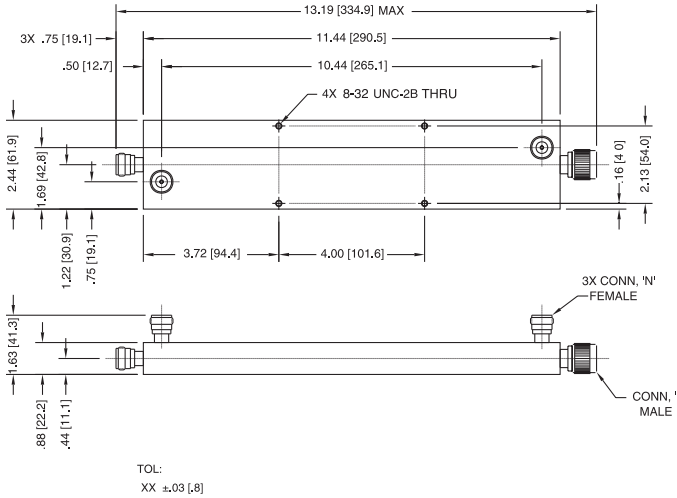
CONNECTORS: Primary Connectors Type N - female (Type N - male optional); Secondary Connectors Type N - female (SMA - female optional)

CALIBRATION FREQUENCIES		
3020A (MHz)	3022 (GHz)	3024 (GHz)
50, 150, 250, 300, 400, 500, 600, 700, 800, 900, 1000	1.0, 1.5, 2.0, 2.5, 3.0, 3.5, 4.0	4.0, 5.0, 6.0, 7.0, 8.0

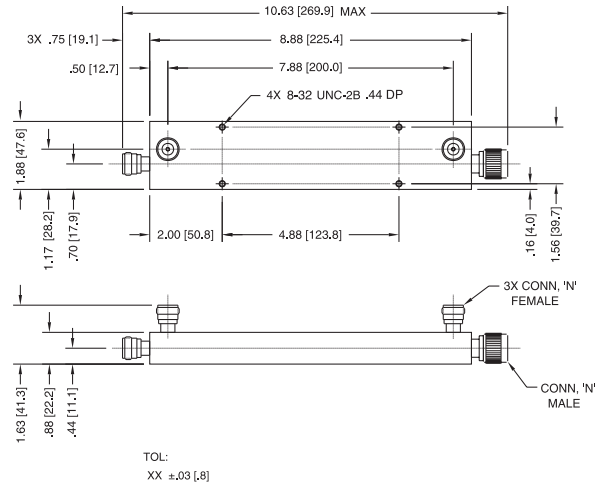


# Couplers

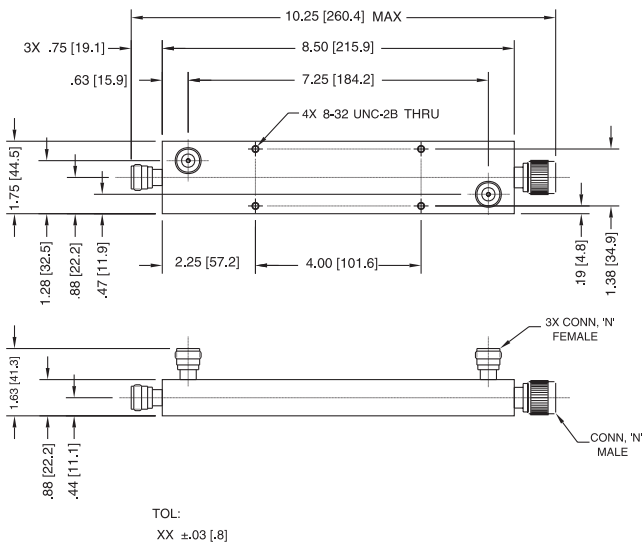
## Outline Drawings



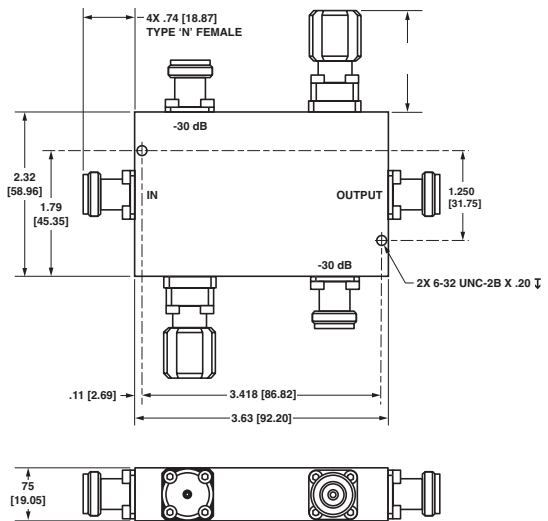
MODEL 3020A



MODEL 3022



MODEL 3024



MODEL 3060

Dimensions in inches (mm in parentheses), unless otherwise specified.