

Variable Attenuators

1-4 GHz

High Power Variable Attenuators

- High power (500 W) Handling Capability
- Adjustable by Micrometer



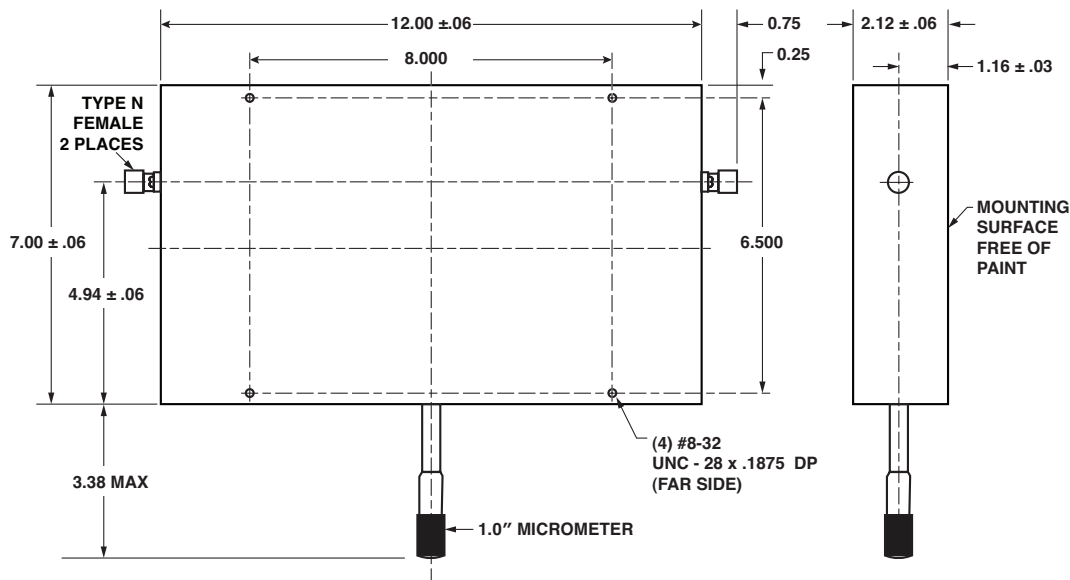
Specifications

Type N, 1 to 4 GHz

FREQUENCY RANGE (GHz)	MODEL	ATTENUATION (dB)	POWER INPUT		VSWR (max.)	INSERTION LOSS (dB max.)	FREQUENCY SENSITIVITY* (dB)	WEIGHT (max)	
			AVERAGE (W max.)	PEAK (kW max.)				lb.	kg.
1-2	795	10	500	10	1.5	0.5	—	7	3.18
2-4	796	20	500	10	1.5	1.0	—	7	3.18

* Due to the sensitivity of existing dielectric properties, these models do not exhibit flat frequency sensitivity.

Outline Drawing



MODELS 795 and 796

Dimensions in inches, unless otherwise specified.

