

# Fixed Attenuators

DC-18 GHz

## Type N Medium Power Bi-Directional Fixed Coaxial Attenuators

- Excellent VSWR
- 50 Watts



### Specifications

Type N (M/F), DC to 18 GHz, 50 W

FREQUENCY RANGE (GHz)	MODEL	ATTENUATION (dB)		POWER INPUT (W max.)		VSWR (max.)				WEIGHT (max.)	
		NOMINAL	DEVIATION	AVERAGE*	PEAK	DC-4	4-12.4	12.4-15	15-18	oz.	gr.
DC-18	776C-10	10	±0.5	50	1000	1.30	1.40	1.50	1.50	12	340
	776C-20	20	±0.75	50	1000	1.30	1.35	1.40	1.50	12	340
	776C-30	30	±1.0	50	1000	1.30	1.35	1.40	1.50	12	340

Type N (M/F), DC to 18 GHz, 50 W

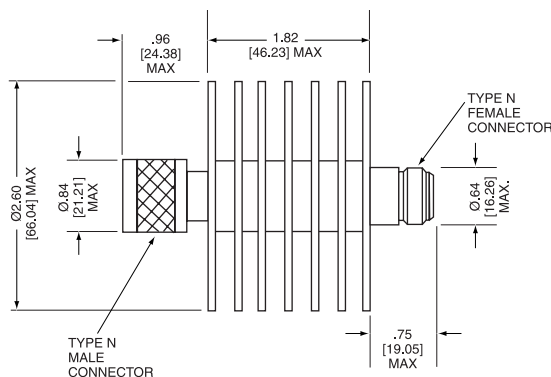
FREQUENCY RANGE (GHz)	MODEL	ATTENUATION (dB)		POWER INPUT (W max.)		VSWR (max.)			WEIGHT (max.)	
		NOMINAL	DEVIATION	AVERAGE*	PEAK	DC-8	8-12.4	12.4-18	oz.	gr.
DC-18	776-40	40	±2.0	50	1000	1.20	1.25	1.35	14	400
	776-50	50	±2.5	50	1000	1.20	1.25	1.35	14	400
	776-60	60	±3.0	50	1000	1.20	1.25	1.35	14	400

\* Power ratings for horizontal operation at +25°C derate linearly to 5 watts at +125°C – see page 53 for derating curve

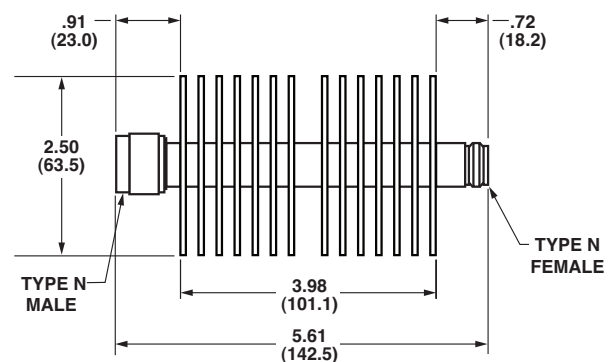
#### NOTE:

Temperature Coefficient: 0.0006 dB/dB/°C; Power Coefficient: 0.0005 dB/dB/W

### Outline Drawings



Model 776C Series



Model 776 Series

Dimensions in inches (mm in parentheses), unless otherwise specified.

